



MR 300i PRO RED 2026

Exploded



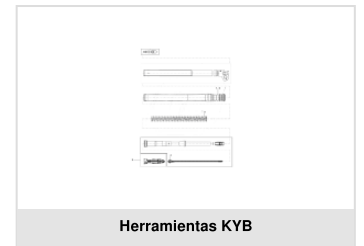
Manillar



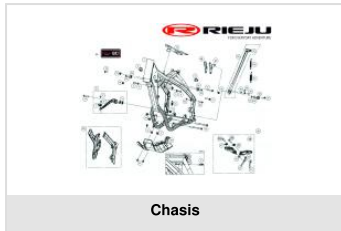
Horquilla



Repuestos Horquilla



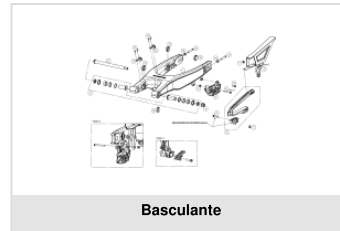
Herramientas KYB



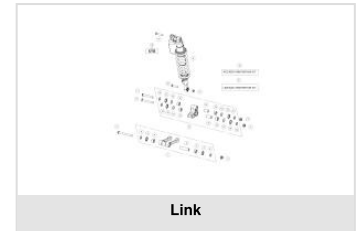
Chasis



SubChasis



Basculante



Link



Amortiguador



Radiador



Parte Eléctrica



Guardabarros delantero



Faro Delantero



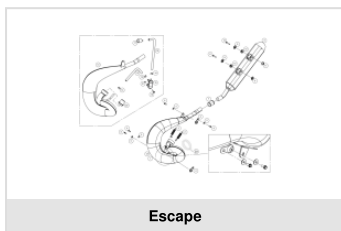
Depósito



Plástica Trasera



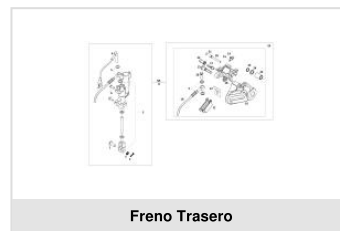
Adhesivos



Escape



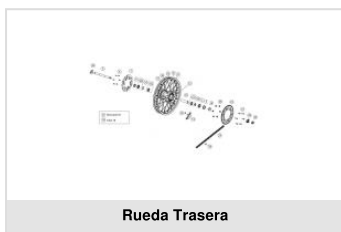
Freno Delantero



Freno Trasero



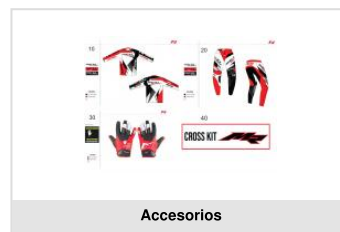
Rueda Delantera



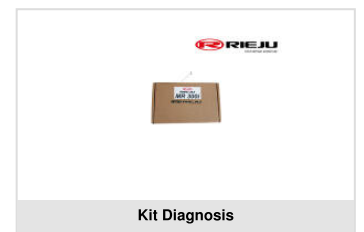
Rueda Trasera



Plásticos



Accesorios



Kit Diagnosis

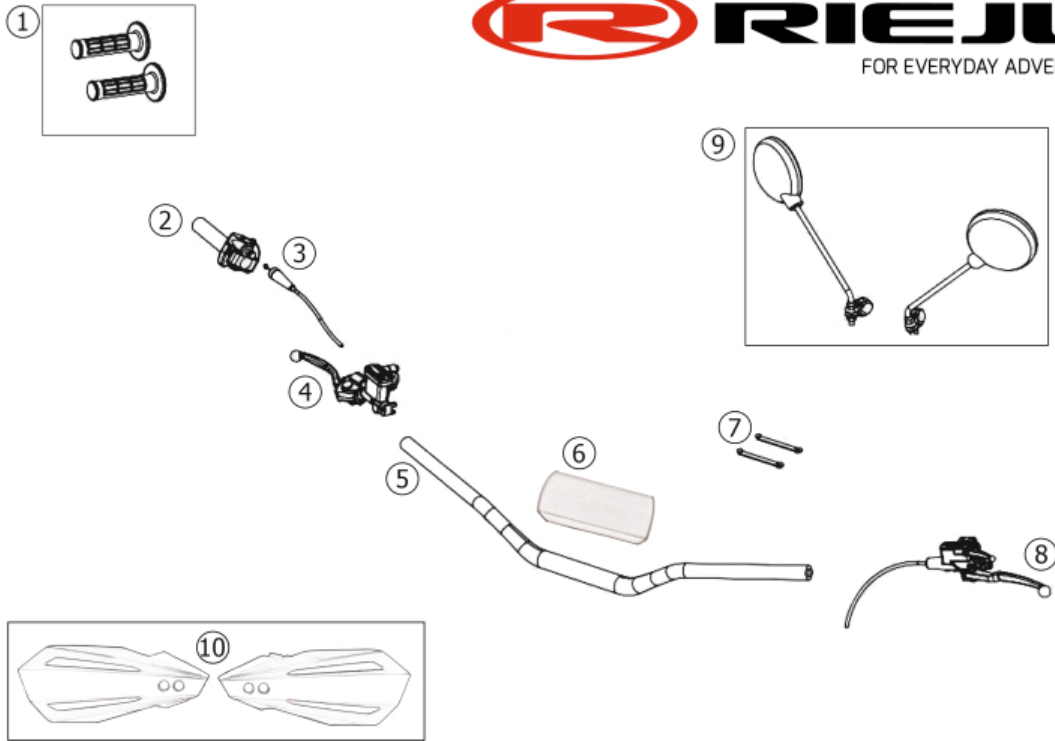


Útiles

MOTOR MR 300i

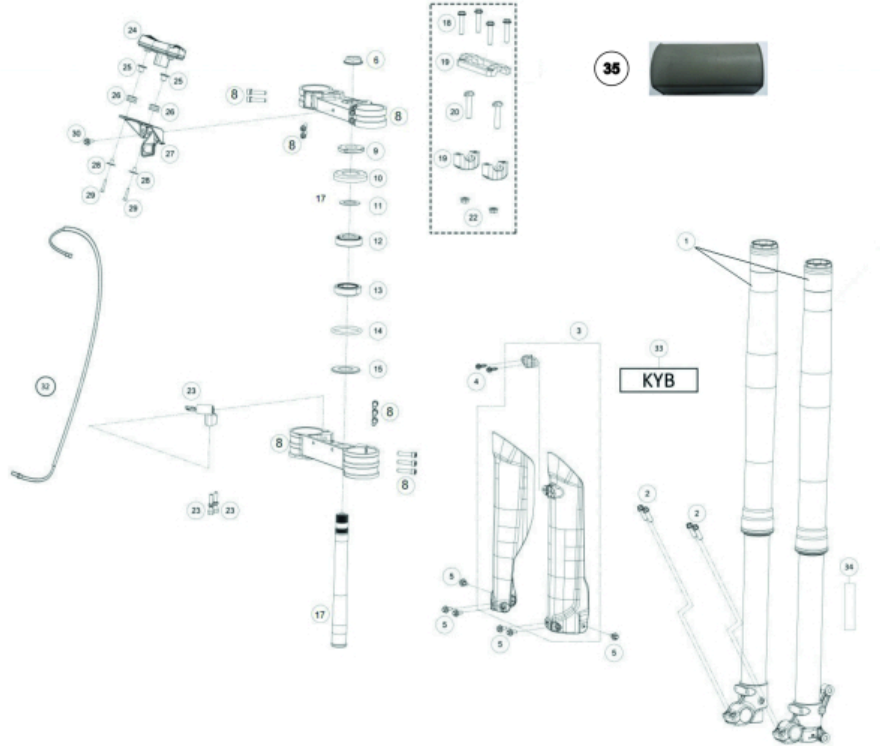


Manillar



1	GRIPS SET RENTHAL (G087A) DARK GREY 0/000.530.9103 (u. 1)
2	THROTTLE CONTROL MR 2025 0/000.530.9104 (u. 1)
3	MR 2025 GAS CABLE 0/000.550.9104 (u. 1)
4	FRONT BRAKE PUMP NISSIN=BC25922008/2 0/000.820.9106 (u. 1)
5	HANDLEBAR RENTHAL FATBAR 827 BLACK 0/000.170.9119 (u. 1)
6	HANDLEBAR FOAM FATBAR P305 0/000.170.9120 (u. 1)
7	LONG CLAMP FIX.INST.2237 0/000.680.0060 (u. 2)
8	CLUTCH PUMP WITH LEVER MR 2025 0/000.830.9103 (u. 1)
8A	LONG CLUTCH LEVER BE45000033011 (u. 1)
9	SET REARVIEW MIRROR (REG 81) 0/000.990.9100 (u. 1)
10	BLACK ENDURO HANDGUARDS (BULLIT) WITHOUT BRACKET 0/000.770.9113 (u. 1)

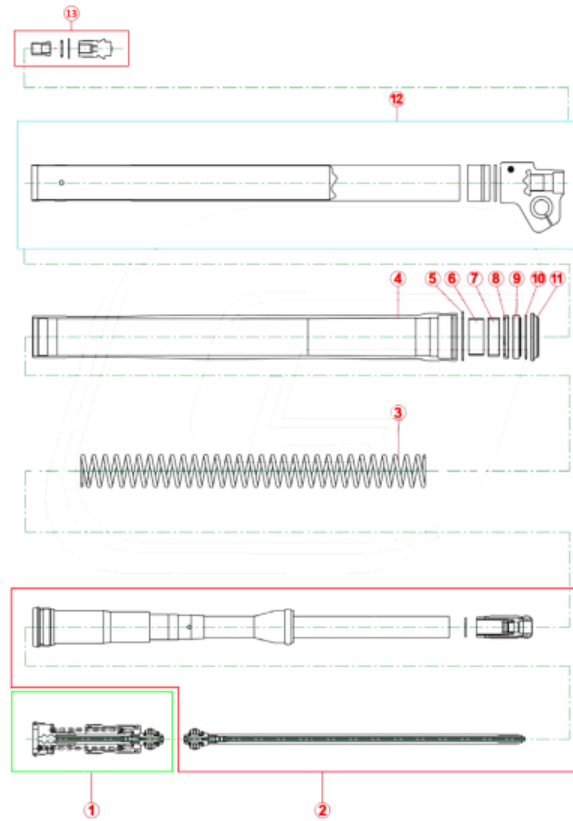
Horquilla



1	SUSPENSION FORK LEFT PRO FACTORY 0/000.130.9111 (u. 1)	
	RIGHT SUSPENSION FORK PRO FACTORY V.3 0/000.130.9110 (u. 1)	
2	HEX. BOLT DIN 6921 TX40 M8x25 GRADE 10.9 GEOMET 0/000.460.9194 (u. 4)	
3	SET PROT.UPSIDE-DOWN FORK MR BLACK 0/000.220.9118 (u. 1)	
4	PLASTIC THREAD SCREW HEX.6 WITH WASHER 6x20 0/000.460.9178 (u. 2)	
5	HEXAGONAL FLANGE SCREW DIN 6921 M6X8 WITH CENTERING 0/000.460.9162 (u. 6)	Obsolete
	TORN.ESP. DIN 6921 Hex.8 TX30 C/Centrador 5,00 M6x7 Cal.10.9 GEOMET 0/000.460.9201 (u. 6)	
6	UPPER STEERING NUT 0/000.340.9102 (u. 1)	
8	KIT SUSPENSION BRACKETS MR PRO RED 0/000.660.9107 (u. 1)	
9	LOWER STEERING NUT 0/000.340.9101 (u. 1)	
10	STEERING BEARING DUST COVER BLACK 0/000.200.9100 (u. 1)	
11	LOWER STEERING WASHER 0/000.440.9101 (u. 1)	
12	STEERING BEARING 30205A 0/000.960.9101 (u. 1)	
13	STEERING BEARING LOWER 320/28 0/000.960.9100 (u. 1)	
14	STEERING O-RING 50X5 0/000.490.9102 (u. 1)	

15	STEERING CUP D.28 0/000.200.9101 (u. 1)
17	STEERING AXLE MR 300 0/000.190.9100 (u. 1)
18	HEXAGONAL SCREW DIN 6921 M8x40 THREAD 31 GRADE 10.9 GEOMET 0/000.460.9140 (u. 4)
	ENDURO 2018 STEERING LOCK KIT BE15025CT-CLJ-1 (u. 1)
19	LOWER HANDLER FLANGE 0/000.350.9109 (u. 2)
	BRIDA SUPERIOR MANILLAR ANODIZADO NEGRO MR 2025 0/000.350.9130 (u. 1)
20	10X45 SPECIAL BOLT G5 12.9 0/000.460.9113 (u. 2)
22	NUT DIN 6926 M10 GRADE 8 Z/WHITE 0/000.340.0182 (u. 2)
24	SPEDOMETER MR 2025 0/001.000.9101 (u. 1)
25	WIDE FLANGE WASHER DIN 522 M4 STAINLESS STEEL 0/000.440.0044 (u. 2)
26	SILENTBLOCK GROMMET FOR ODOMETER 0/000.360.4002 (u. 2)
27	MULTIFUNCTION SUPPORT MR 300i 0/P00.980.9108 (u. 1)
28	MARKER BUSHING MR 0/000.480.9130 (u. 2)
29	SCREW ISO 7380 TORX T-20 M4x20 STAINLESS STEEL 0/000.460.0079 (u. 2)
30	TORN.ESP. DIN 6921 Hex.8 TX30 C/Centrador 3,70 M6x7 Cal.10.9 GEOMET 0/000.460.9200 (u. 1)
	HEX. HEAD SCREW DIN 6921 M6x7 WITH CENTERING 0/000.460.9161 (u. 1)
32	ENDURO KMS ACCOUNT SENSOR 0/001.010.9100 (u. 1)
33	BLACK SUSPENSION STICKER KIT KYB 200 x 87 mm (x2) 0/K00.390.9149 (u. 1)
	KIT ADHESIVE SUSPENSION RED KYB 200 x 87 mm (x2) 0/K00.390.9142 (u. 1)
34	REFLECTIVE STICKER 0/000.630.9102 (u. 2)
35	HANDLEBAR FOAM FATBAR P305 0/000.170.9120 (u. 1)

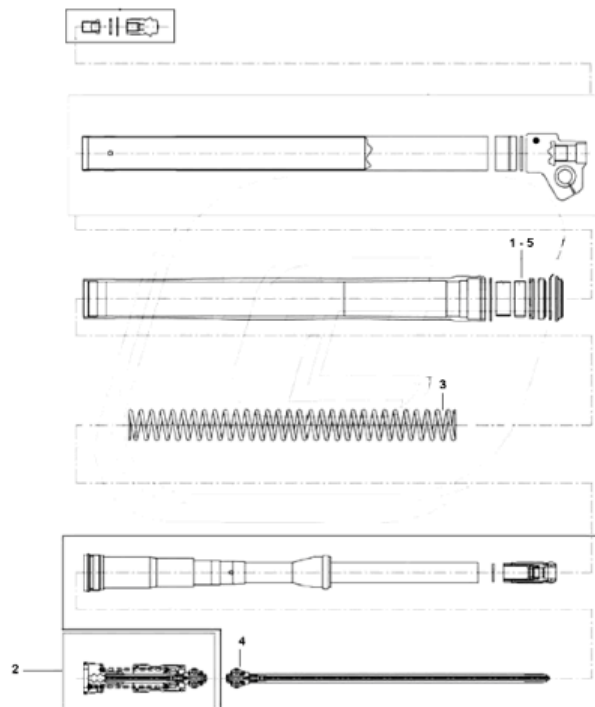
Repuestos Horquilla



1	SET CAP CARTRIDGE SUSPENSION KAYABA ENDURO BE20240CT-CLJ-1 (u. 1)
2	HYDRAULIC SUSPENSION SET KAYABA ENDURO BE20220GG-CLJ-1 (u. 1)
3A	SPRING SUSPENSION 4.0 KAYABA ENDURO BE20170CT-CLJ-1 (u. 2)
3B	SPRING SUSPENSION 4.2 KAYABA ENDURO BE20171CT-CLJ-1 (u. 2)
3C	SPRING SUSPENSION 4.4 KAYABA ENDURO BE20172CT-CLJ-1 (u. 2)
4	SET. SUSPENSION BOTTLE KAYABA ENDURO BE20100CT-CLJ-1 (u. 1)
5	RETAINING RING SUSPENSION KAYABA ENDURO BE20145GG-CLJ-1 (u. 1)
6	GLACIER FORK LEG SUSPENSION KAYABA ENDURO BE20150GG-CLJ-1 (u. 1)
7	GLACIER SUSPENSION BAR KAYABA ENDURO BE20151GG-CLJ-1 (u. 1)
8	WASHER SUSPENSION KYB ENDURO BE20186GG-CLJ-1 (u. 1)
9	SET SUSPENSION SEALS KAYABA ENDURO BE20140CT-CLJ-1 (u. 1)
10	SET CIRCLIP SUSPENSION KAYABA ENDURO BE20135GG-CLJ-1 (u. 1)
11	SET DUST BOOT SUSPENSION KAYABA ENDURO BE20130CT-CLJ-1 (u. 1)
12A	SET RIGHT SUSPENSION BAR KAYABA ENDURO GP 2018 BE20110CT-CRB-1 (u. 1)
12B	SET LEFT SUSPENSION BAR KAYABA ENDURO GP 2018 BE20115CT-CRB-1 (u. 1)

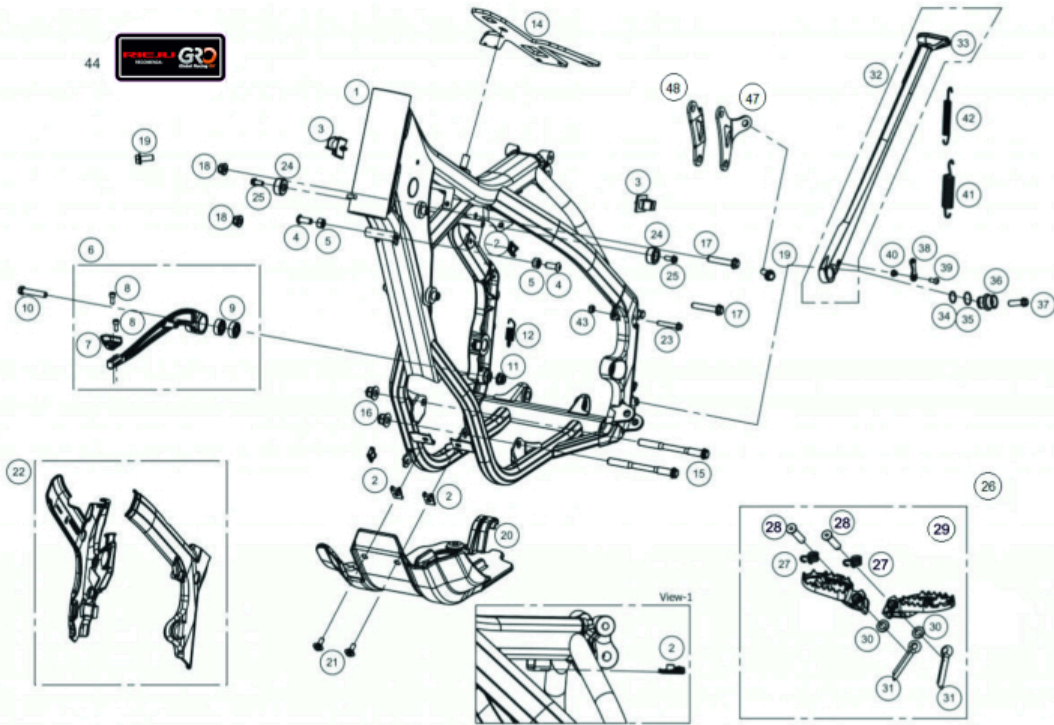
13

CAP EXTENSION ADJUSTMENT SUSPENSION KAYABA ENDURO
BE20120GG-CLJ-1 (u. 1)

Herramientas KYB


- | | |
|---|---|
| 1 | TOOL SEAL SUSPENSION KAYABA ENDURO
BE20225GG-CLJ-1 (u. 1) |
| 2 | KEY CAP SUSPENSION KAYABA ENDURO
BE21105GG-CLJ-1 (u. 1) |
| 3 | PISTON SUPPORT TOOL ADJUSTMENT SUSPENSION KAYABA ENDURO
BE20230GG-CLJ-1 (u. 1) |
| 4 | TOOL CAP CARTRIDGE SUSPENSION KAYABA ENDURO
BE21106GG-CLJ-1 (u. 1) |
| 5 | TOOL INSERT SEAL SUSPENSION KAYABA ENDURO
BE20235GG-CLJ-1 (u. 1) |

Chasis

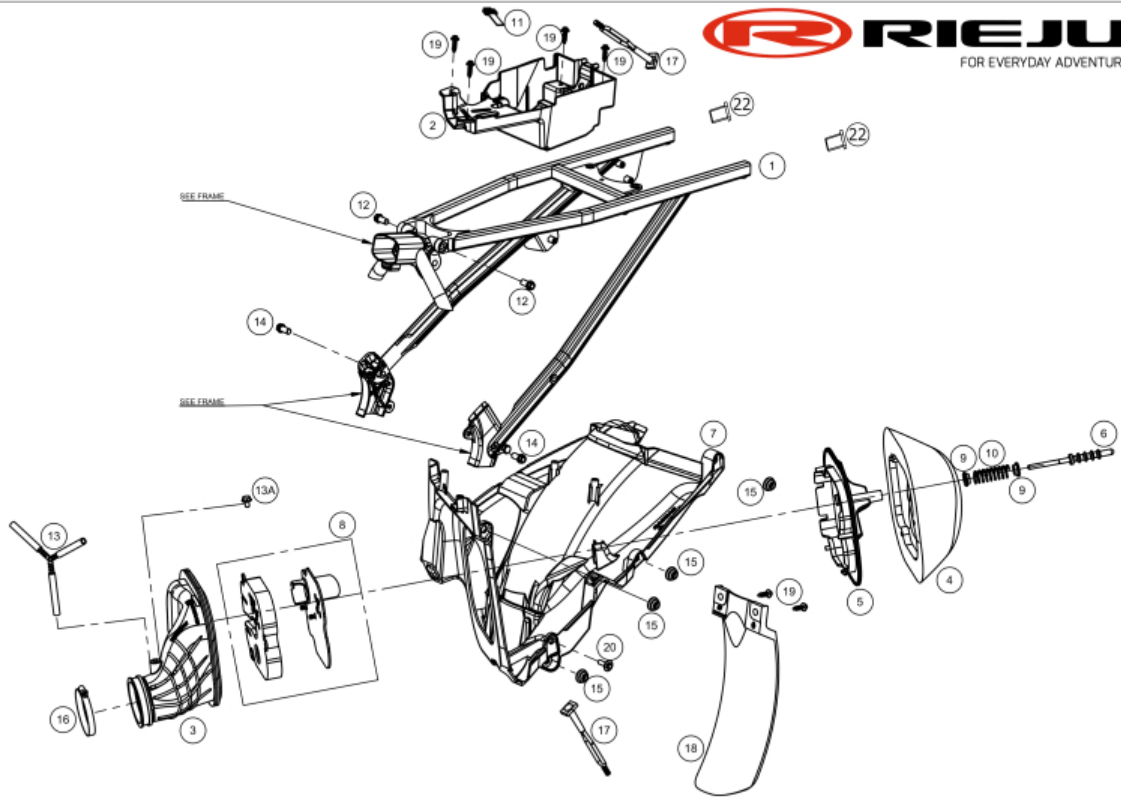


1	CHASIS MR 300 2025 0/000.010.9106 (u. 1)
2	NUT 956 QUICK M-6 HRC 40/48 0/000.340.9120 (u. 5)
3	CLIP (1E3J) MOUNTING BRACKET ENDURO 2018 0/000.630.9100 (u. 2)
4	ALLEN BOLT 8x25 ISO 7380-1 ZN 10.9 0/000.460.9157 (u. 2)
5	ZINC STEERING STOP NUT M8X13X8 ISO 4033 ZINC 0/000.340.9109 (u. 2)
6	BRAKE PEDAL ENDURO 2018 0/000.730.9100 (u. 1)
7	BRAKE PEDAL TIP BE130102510 (u. 1)
9	BEARING 628-2RS BE13025GG-CLJ-1 (u. 2)
10	SCREW DIN 912 Allen M8x45 Cal.8.8 Z/WHITE 0/000.460.0382 (u. 1)
11	M8 NUT DIN 6926 GRADE 8 ZINC/WHITE 0/000.340.0180 (u. 1)
12	BRAKE PEDAL SPRING 2014 0/000.470.9100 (u. 1)
14	GOMA PROT.DEP.GASOLINA MR 2025 0/000.220.9189 (u. 1)
15	ENGINE SCREW M10x113 GEOMET 10.9 0/000.460.9132 (u. 2)
16	SELF-LOCKING NUT M10 PITCH 1.25 ZINC 8 0/000.340.9123 (u. 2)
17	TORN.ESP. DIN 6921 Hex.10 TX40 M8x50 Fil.20 Cal.10.9 GEOMET 0/000.460.9198 (u. 1)

	FLAT WASHER DIN 125/A M8 Z/WHITE 0/000.440.0160 (u. 4)	
19	TORN.ESP. DIN 6921 Hex.10 TX40 M8x20 Cal.10.9 GEOMET 0/000.460.9193 (u. 4)	
	NUT DIN 6927 M8 GRADE 8 Z/WHITE 0/000.340.0188 (u. 4)	
20	ENDURO 2018 CRANKCASE PROTECTOR WITH HARDWARE 0/R00.220.9100 (u. 1)	
21	HEX BOLT DIN 6921 M6X12 WITH CENTERING FLANGE 0/000.460.9101 (u. 2)	Obsolete
	TORN.ESP. DIN 6921 Hex.8 TX30 C/Center 3.70 M6x12 Cal.10.9 GEOMET 0/000.460.9180 (u. 2)	
22	SET FRAME PROTECTOR RED 0/000.220.9138 (u. 1)	
23	SPECIAL BOLT DIN 6921 HEX.8 M6X35 CAL.10.9 GEOMET 0/000.460.9124 (u. 1)	
24	SILENTBLOCK+WASHER FUEL TANK 0/000.360.9106 (u. 2)	
25	SCREW DIN 6921 HEX.8 TX30 M6x14 CAL.10.9 GEOMET 0/000.460.9215 (u. 2)	
26	KIT FOOTPEGS MR RACING / MR RANGER 0/K00.740.9101 (u. 1)	
27	SPRING RIDER FOOTPEG RH&LH 0/000.470.9113 (u. 1)	
28	FOOTPEG PIN S3 MR 0/000.840.9104 (u. 2)	
29	SPRING KIT + FOOTPEG PINS S3 MR 0/K00.470.9100 (u. 1)	
30	WASHER 10.5 X 20 X 2 ZINC PLATED DIN 125 0/000.440.9133 (u. 2)	
31	PIN DIN 94 0/000.840.9100 (u. 2)	
32	SET STAND MR RACING COMPLETE 0/K00.210.9100 (u. 1)	
33	BASE STAND ENDURO 2018 0/000.570.9100 (u. 1)	
34	O-RING BUSHING STAND 15x1.5 0/000.490.9100 (u. 1)	
35	O-RING BUSHING STAND 17x1.5 0/000.490.9101 (u. 1)	
36	BUSH FIXING STAND ENDURO 2018 0/000.480.9102 (u. 1) - <i>HOMOLOGADA</i>	
	COMPETITION STAND BUSHING 0/000.480.9129 (u. 1) - <i>NO HOMOLOG</i>	
37	SCREW ISO 7380 Torx T-40 M8x25 STAINLESS STEEL 0/000.460.0081 (u. 1)	
38	ENDURO STAND 2018 0/000.830.9100 (u. 1)	
39	SCREW ISO 7380 Torx T-25 with washer M5x16 STAINLESS STEEL 0/000.460.0083 (u. 1)	
40	BUSH CARRY STAND ENDURO 0/000.480.9103 (u. 1)	
41	EXTERIOR SPRING KICKSTAND ENDURO 2018 0/000.470.9103 (u. 1)	
42	INNER SPRING KICKSTAND ENDURO 2018 0/000.470.9104 (u. 1)	

43	NYLOCK NUT M-6 DIN 985 ZN CR3 6 0/000.340.9113 (u. 1)
44	CALCA RECOMENDACIÓN ACEITE GRO 2021 0/000.390.0101 (u. 1)
47	TIRANTE CULATA LH MR 2025 0/000.980.9138 (u. 1)
48	TIRANTE CULATA RH MR 2025 0/000.980.9137 (u. 1)

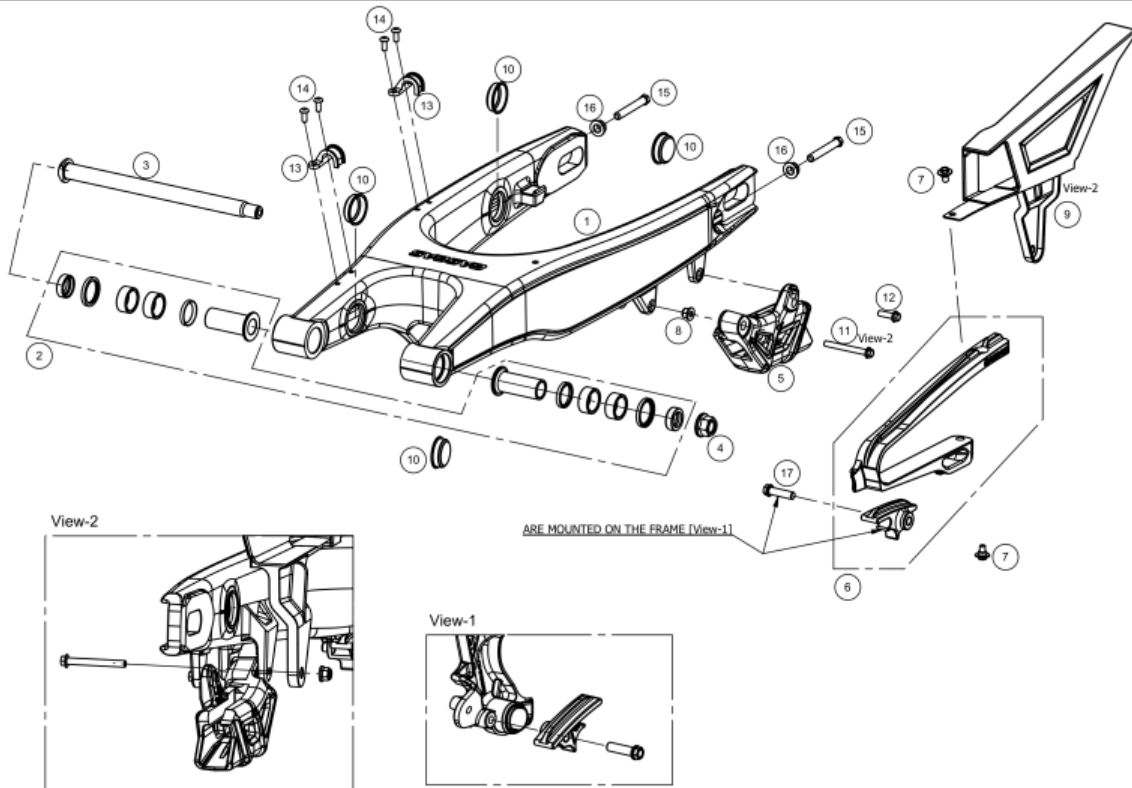
SubChasis



1	KIT SUBCHASSIS MR300i 2025 0/K00.010.9103 (u. 1)
2	CAJA BATERIA MR 2025 0/000.570.9120 (u. 1)
3	TUBERA CAJA FILTRO MR 2025 0/000.360.9116 (u. 1)
4	AIR FILTER EC 2018 (OEM158084X) 0/001.070.9100 (u. 1)
5	SPIDER FILTER EC 2018 0/000.570.9104 (u. 1)
6	AIR FILTER SUPPORT ROD 0/000.980.9117 (u. 1)
7	CAJA FILTRO MR 2025 0/000.910.9101 (u. 1)
8	AIR FILTER RESTRICTOR KIT BE79800CT-CLJ-1 (u. 1)
9	NYLON STOP WASHER SPRING WITH FILTER EC-2007 0/000.440.9100 (u. 2)
10	FILTER ROD SPRING C.EC-2007 0/000.470.9105 (u. 1)
11	GOMA SUJ. CDI MR 2025 0/000.360.9117 (u. 1)
12	HEX. BOLT DIN 6921 TX40 M8x25 GRADE 10.9 GEOMET 0/000.460.9194 (u. 2)
13	SET FUEL TANK VENT HOSE 26cm 0/000.290.9115 (u. 1)
13A	M6X12 BLACK SPECIAL PLASTIC SCREW 0/000.460.9109 (u. 1)
14	TORN.ESP. DIN 6921 Hex.10 TX40 M8x16 Cal.10.9 GEOMET 0/000.460.9192 (u. 2)

15	SILENTBLOCK NUMBER PLATE LEFT ENDURO 2018 0/000.360.9109 (u. 4)	
16	CLAMP 50-70/9 AIR FILTER/CARB INOX FE 0/000.680.9101 (u. 1)	
17	RUBBER STAND EC 2015 0/000.360.9100 (u. 2)	
18	PROT.SHOCK ABSORBER EC 2018 0/000.220.9117 (u. 1)	
19	PLASTIC THREAD SCREW HEX.6 WITH WASHER 6x20 0/000.460.9178 (u. 6)	
20	BOLT ESP. 6X16 DRACOMET 0/000.460.9100 (u. 1)	Obsolete
21	CRANKCASE VENT NIPPLE D.3 0/000.630.9105 (u. 1)	
22	TAPON SUBCHASIS MR M6 0/000.410.9116 (u. 2)	

Basculante



1	SWINGARM MR 2025 PAINTED 0/P00.020.9100 (u. 1)	
2	SWINGARM REPAIR KIT MR 300i 0/R00.020.9101 (u. 1)	
3	AXLE SWINGARM ENDURO 2018 0/000.190.9101 (u. 1)	
4	SWINGARM NUT TT 49650 0/000.340.9103 (u. 1)	
5	CHAIN GUIDE MR 0/000.710.9100 (u. 1)	
6	CHAIN SLIDER ASSEMBLY MR 300i 0/K00.360.9118 (u. 1)	
7	TORN.ESP. DIN 6921 Hex.8 TX30 C/Centrador 3,70 M6x7 Cal.10.9 GEOMET 0/000.460.9200 (u. 2)	
8	NUT DIN 6926 M6 GRADE 8 Z/WHITE 0/000.340.0170 (u. 1)	
9	CHAIN GUARD HOMOL.EC 2018 0/000.220.9107 (u. 1) - <i>HOMOLOGADA</i>	
10	CAP SWINGARM EC 2018 (465658) 0/000.410.9100 (u. 4)	
11	SPECIAL SCREW DIN 6921 HEX.8 M6x55 CAL.10.9 GEOMET 0/000.460.9127 (u. 1)	Obsolete
12	HEXAGONAL FLANGE SCREW DIN 6921 TX30 M6x20 GRADE 10.9 GEOMET 0/000.460.9181 (u. 1)	
13	SWINGARM HOSE HOLDER 0/000.630.9101 (u. 2)	
14	BOLT + WASHER 5x15 DIN 6921 GEOMET 10.9 0/000.460.9115 (u. 4)	
15	FSR450-2007 WHEEL TENSIONER SCREW 0/000.460.9105 (u. 2)	
16	M8 SERRATED FLANGE NUT DIN 6923 STEEL 8 0/000.340.9118 (u. 2)	

17

HEXAGONAL FLANGE BOLT DIN 6921 M8x35 GRADE 10.9 GEOMET
0/000.460.9139 (u. 1)

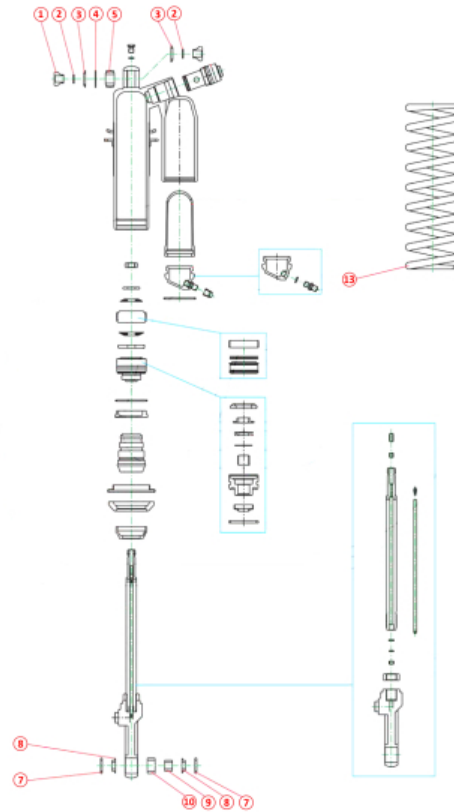
Link



1	MR 300 LINKAGE 0/K00.980.9102 (u. 1)
2	SCREW AXLE LINK CHASSIS (CM12X1.25X116.2, 12.9) 0/000.460.9102 (u. 1)
3	NUT M12x1.25 DIN 6927 ZINC 0/000.340.9115 (u. 3)
5	SCREW AXLE LINK ROCKER 12X95.5 12.9 ISO 898-1 0/000.460.9103 (u. 1)
6	MR ROCKER SET 0/K00.980.9101 (u. 1)
7	BOLT AXLE SWINGARM 22X92.5 0/000.460.9104 (u. 1)
8	SHOCK ABSORBER EC 2018 KYB 0/000.180.9100 (u. 1)
9	BOLT 10x60 ISO 898-1 GEOMET 10.9 0/000.460.9131 (u. 1) PERNO 10X55 10.9 GEOMET ISO 898-1 T0210055 (u. 1)
10	SCREW LOWER AXLE SHOCK ABSORBER 20X48.5 0/000.460.9107 (u. 1)
11	SELF-LOCKING NUT M10X125 DIN 985 ZINC 8 0/000.340.9110 (u. 1)
12	ROCKER ARM REPAIR KIT EC 2018 BE34035CT-CLJ-1 (u. 1)
13	RED STICKER SHOCK ABSORBER KYB 0/000.390.9158 (u. 1) BLACK SHOCK ABSORBER STICKER KYB 0/000.390.9159 (u. 1)

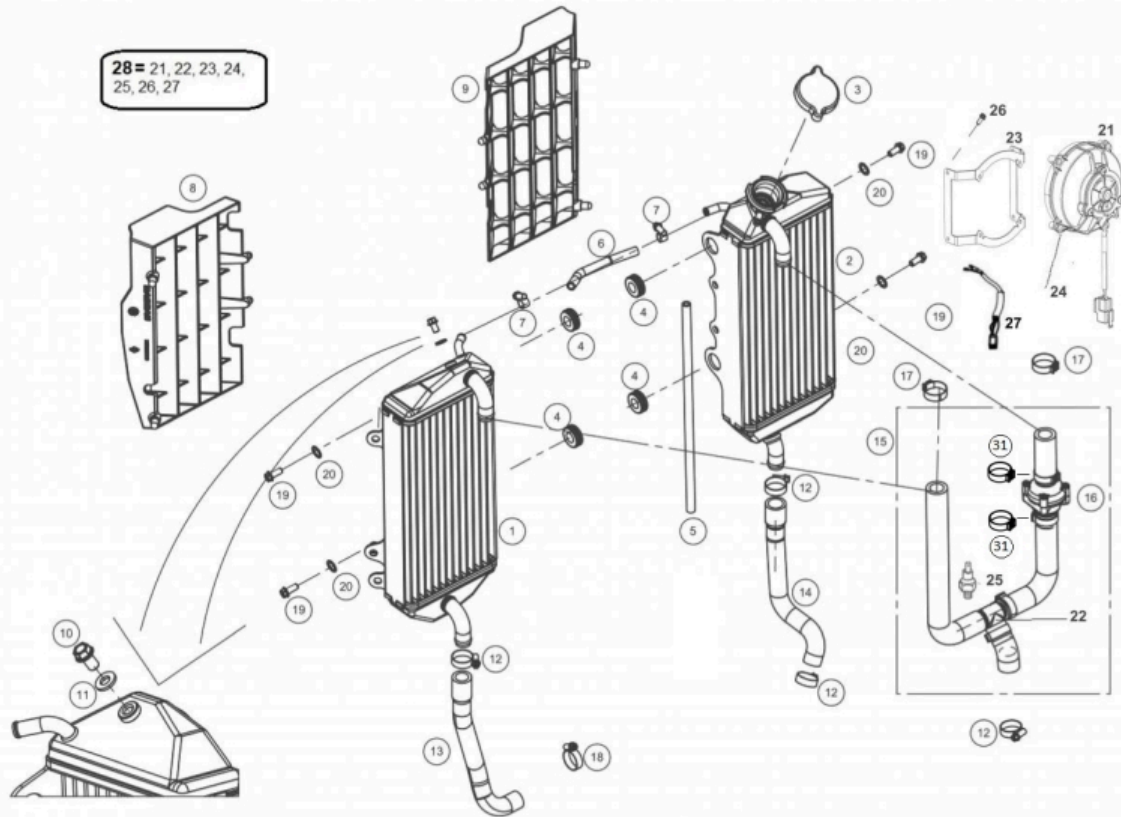
Obsolete

Amortiguador



1	UPPER BALL JOINT BUSHING KAYABA ENDURO SUSPENSION BE20210GG-CLJ-1 (u. 1)
2	O-RING BALL JOINT SUSPENSION KAYABA ENDURO BE30025GG-CLJ-1 (u. 3)
3	SEAL UPPER BALL JOINT SUSPENSION KAYABA ENDURO BE23295GG-CLJ-1 (u. 3)
4	WASHER BALL-JOINT UPPER SUSPENSION KAYABA ENDURO BE232990GG-CLJ-1 (u. 1)
5	UPPER BALL JOINT SHOCK ABSORBER KAYABA ENDURO BE23250GG-CLJ-1 (u. 1)
7	DUST COVER BALL-JOINT LOWER KAYABA ENDURO BE23280GG-CLJ-1 (u. 2)
8	BUSHING LOWER BALL JOINT SUSPENSION KAYABA ENDURO BE23285GG-CLJ-1 (u. 1)
9	NEEDLE BEARING LOWER SUSPENSION KAYABA ENDURO BE36060GG-CLJ-1 (u. 1)
10	BUSHING LOWER SUSP. KAYABA ENDURO BE23300GG-CLJ-1 (u. 1)
13	SPRING SHOCK ABSORBER 46 mm 50n KAYABA SUSPENSION ENDURO BE30010GG-CLJ-1 (u. 1)
	SPRING SHOCK ABSORBER 46 mm 52n KAYABA SUSPENSION ENDURO BE30011GG-CLJ-1 (u. 1)
	SPRING SHOCK ABSORBER 46 mm 54n KAYABA SUSPENSION ENDURO BE30012GG-CLJ-1 (u. 1)

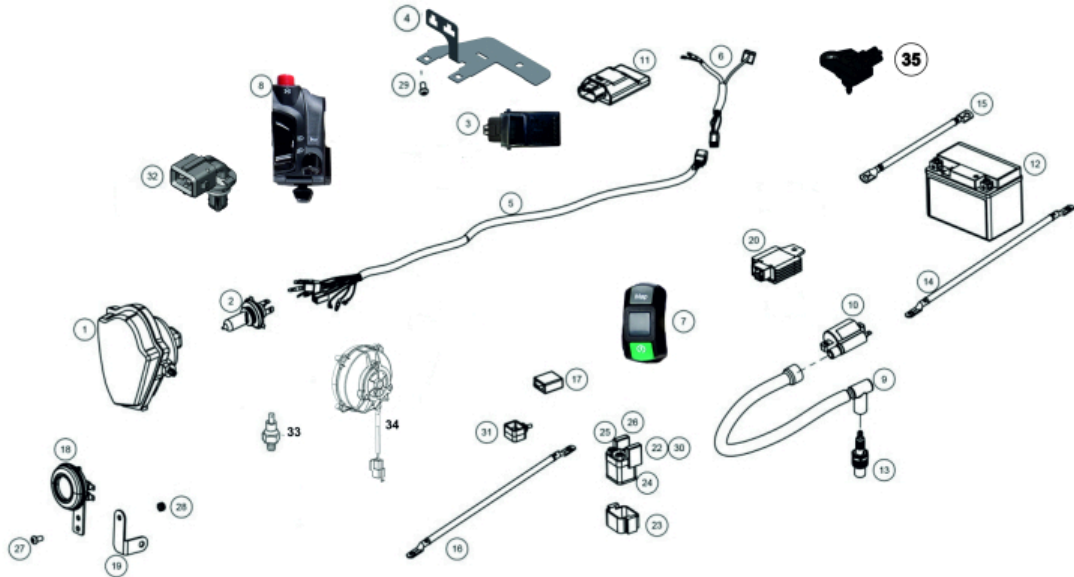
Radiador



1	LH RADIATOR 0/000.580.9107 (u. 1)	Obsolete
2	RH RADIATOR 0/000.580.9106S (u. 1)	
3	TAPON RADIADOR MR 2025 0/000.410.9115 (u. 1)	
5	RADIATOR BREATHER HOSE 5X8 - 39CM 0/000.290.9117 (u. 1)	
6	RADIATOR UNION TUBE MR 0/000.290.9103 (u. 1)	
7	WORM GEAR CLAMP 10-16 (10107270010) STAINLESS STEEL FE 0/000.680.9108 (u. 2)	
8	LEFT RADIATOR GRILLE ENDURO 2018 0/000.220.9113 (u. 1)	
9	RADIATOR GRILLE RIGHT ENDURO 2018 0/000.220.9112 (u. 1)	
10	SPECIAL SCREW. DIN 6921 Hex.8 TX30 M6x10 Cal.10.9 GEOMET 0/000.460.9191 (u. 1)	
11	COPPER WASHER 6X10X1.5 WATER PUMP BOLT 0/000.440.9122 (u. 1)	
12	WORM GEAR CLAMP 16-27 (10107270027) STAINLESS STEEL 0/000.680.9107 (u. 4)	
13	MANGUITO RADIADOR RH A RADIADOR LH MR 2025 0/000.290.9152 (u. 1)	
14	TUBO BOMBA AGUA A RADIADOR RH MR 2025 0/000.290.9150 (u. 1)	
15	CJTO.TUBOS RADIADORES-TERMOSTATO MR 2025 0/000.290.9151 (u. 1)	Obsolete
	RADIATOR THERMOSTAT HOSE ASSEMBLY LH MR 300i 0/000.290.9162 (u. 1)	

16	RADIATOR THERMOSTAT 0/001.010.9103 (u. 1)
17	COBRA CLAMP 21 W4 0/000.680.3009 (u. 2)
18	HOSE CLAMP COBRA-19 INOX A2 0/000.680.9104 (u. 1)
19	SCREW DIN 6921 HEX.8 TX30 M6x14 CAL.10.9 GEOMET 0/000.460.9215 (u. 4)
20	WASHER DIN 9022 M6 GRADE A2 STAINLESS STEEL 0/000.440.9141 (u. 4)
21	RADIATOR FAN 0/005.060.9100 (u. 1)
22	T-TYPE CONNECTOR MR RADIATOR 0/000.290.9119 (u. 1)
23	FAN SUPPORT MR 0/000.980.9124 (u. 1)
24	SCREW CELO RHS81P 5X12 TORX Z/WHITE 0/000.460.0090 (u. 4)
25	TEMPERATURE SENSOR 87° M14x1.5 0/001.010.9102 (u. 1)
26	RIVET DIN 7337/B 4.8x10 L/BLACK 0/000.330.0053 (u. 4)
28	ELECTROFAN KIT MR + BRACKET + INSTALLATION 0/K05.060.9100 (u. 1)
31	CLAMP COBRA Ø26/8 W4 0/000.680.0567 (u. 2)

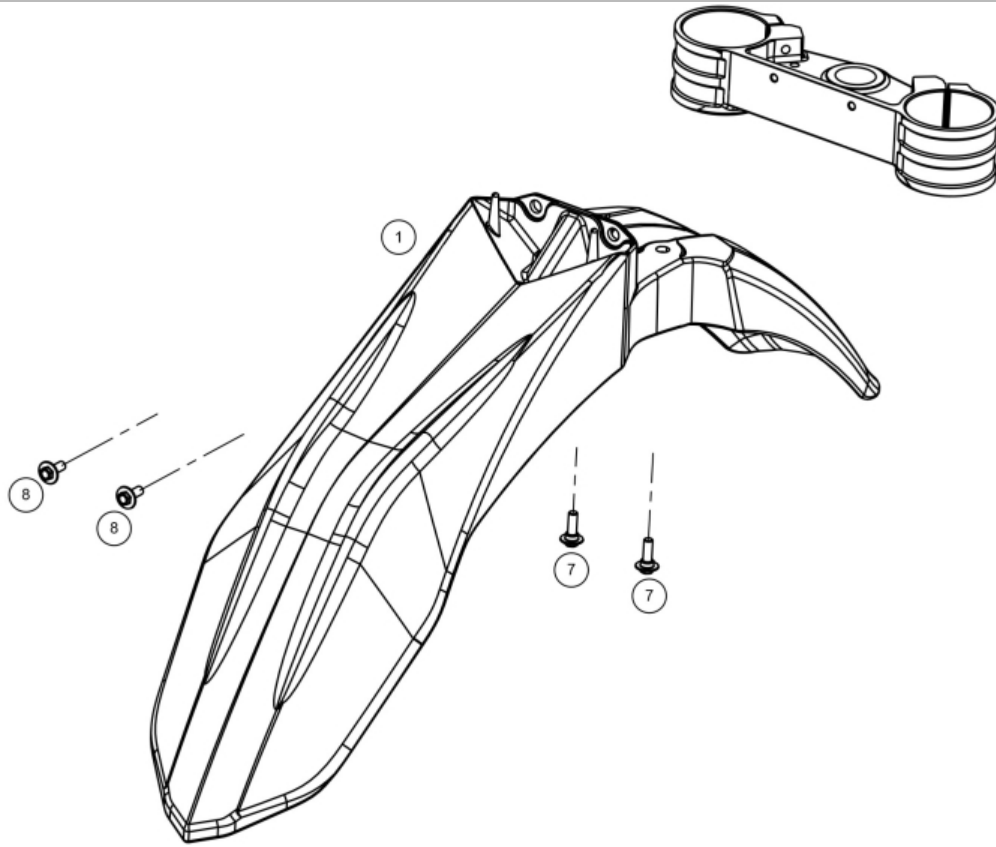
Parte Eléctrica



1	HEADLIGHT ASSEMBLY WITH POSITION LIGHT PT-107 0/000.600.0270 (u. 1)
2	HS1 12V 35/35W HALOGEN BULB L300125 (u. 1)
3	MODULO ELECTRONICO PDU 0/P05.705.9104 (u. 1)
4	SOPORTE CONECTORES MULTIFUNCION MR 2025 0/000.980.9136 (u. 1)
5	DIPPED HEADLIGHT HARNESS MR / MARATHON 0/000.160.9129 (u. 1) INSTALACION PRINCIPAL MR 2025 LED 0/P00.160.9127 (u. 1)
6	SUPLEMENTO INSTALACION LUZ MATRICULA MR 0/000.160.9114 (u. 1)
7	DUAL MAP START SWITCH MR 2025 0/000.720.9106 (u. 1)
8	CONMUTADOR LUCES CON PARO MR 2025 0/000.720.9107 (u. 1)
9	SPARK PLUG CAP LB05EMH=BT27934000 0/005.110.9100 (u. 1)
10	IGNITION COIL 0/005.070.9102 (u. 1)
11	ECU MR 300i REPROGRAMADA 0/R05.705.9103 (u. 1)
12	BATTERY BS LITHIUM - BSLI-02 0/000.900.9103 (u. 1)
13	SPARK PLUG W24ESRU/BR8ES 0/005.110.9101 (u. 1)
14	CABLE POSITIVO BATERIA MR 2025 0/000.160.9121 (u. 1)
15	CABLE NEGATIVO BATERIA A MASA MOTOR MR 2025 0/000.160.9122 (u. 1)
16	CABLE RELE A MOTOR ARRANQUE MR 2025 0/000.160.9123 (u. 1)

17	ACTIVATION CIRCUIT 0/005.705.9106 (u. 1)
18	HORN CLASS II TYPE DL128J-12V 0/000.420.5011 (u. 1)
19	ZINC-PLATED BRACKET HORN ENDURO 2018 0/000.980.9107 (u. 1)
20	REGULATOR FH022AA (Vreg = 14.7V +- 0.2V) 0/005.070.9103 (u. 1)
22	RC19-025 Relay Assy Power W/Stay 0/001.200.9101 (u. 1)
23	RUBBER BRACKET RELAY STARTER FIXED VERTICAL EE85205GG-CAK-1 (u. 1)
24	FUSE PROTECTIVE COVER (B4694-730-00-001) EE851052511 (u. 2)
25	DENTED WASHER DIN 6798/J M6 GRADE A2 STAINLESS STEEL 0/000.440.0240 (u. 2)
26	SPECIAL SCREW. DIN 6921 Hex.8 TX30 M6x10 Cal.10.9 GEOMET 0/000.460.9191 (u. 2)
27	BOLT ESP 6X12 WITH WASHER AND LOCKING ISO 7380-2 STAINLESS A2 0/000.460.9108 (u. 1)
28	NUT 956 QUICK M-6 HRC 40/48 0/000.340.9120 (u. 1)
29	SCREW DIN 6921 HEX.8 TX30 M6x14 CAL.10.9 GEOMET 0/000.460.9215 (u. 1)
30	UNIVERSAL FUSE 20A 0/000.910.9100 (u. 2)
31	RUBBER SUPPORT FOR DIODE MODULE 0/000.360.9111 (u. 1)
32	AIR TEMP SENSOR MR 2025 0/001.010.9106 (u. 1)
33	TEMPERATURE SENSOR 87° M14x1.5 0/001.010.9102 (u. 1)
34	RADIATOR FAN 0/005.060.9100 (u. 1)
35	BAROMETRIC SENSOR MR 2025 0/001.010.9108 (u. 1)

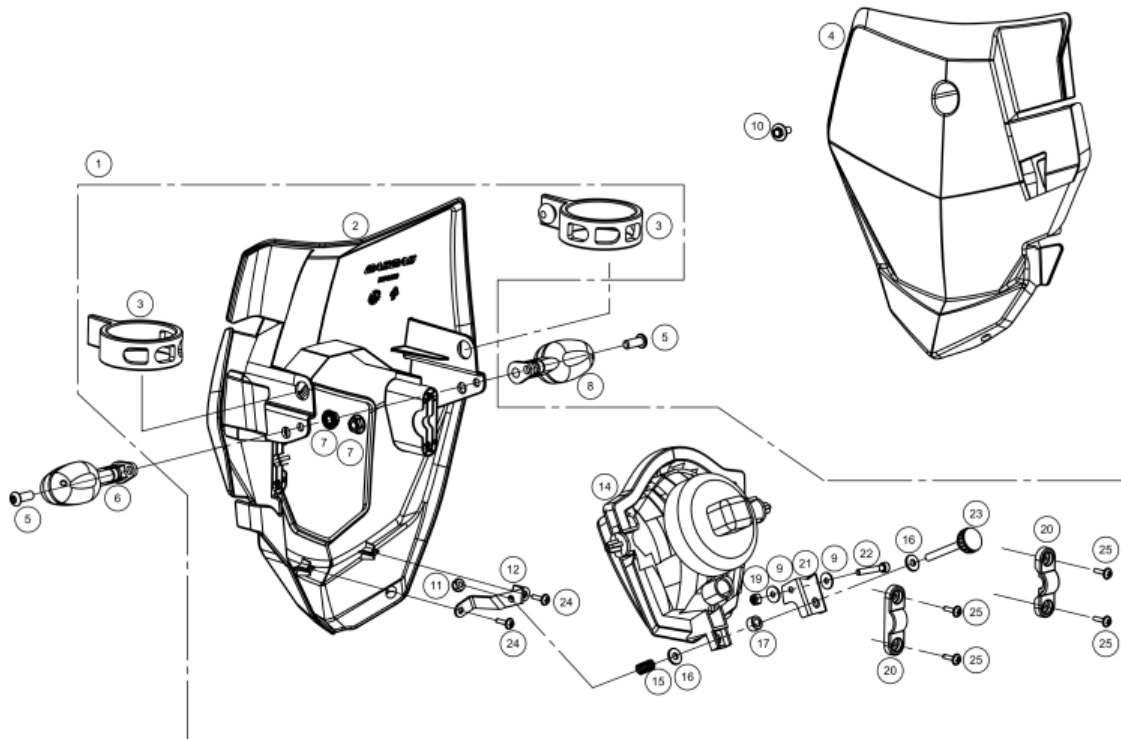
Guardabarros delantero



- | | |
|----------|--|
| 1 | RED FRONT FENDER
0/000.050.9102 (u. 1) |
| 7 | BOLT ESP. 6X16 DRACOMET
0/000.460.9100 (u. 2) |
| 8 | TORN.ESP. DIN 6921 Hex.8 TX30 C/Centrador 3,70 M6x7 Cal.10.9 GEOMET
0/000.460.9200 (u. 2) |

Obsoleto

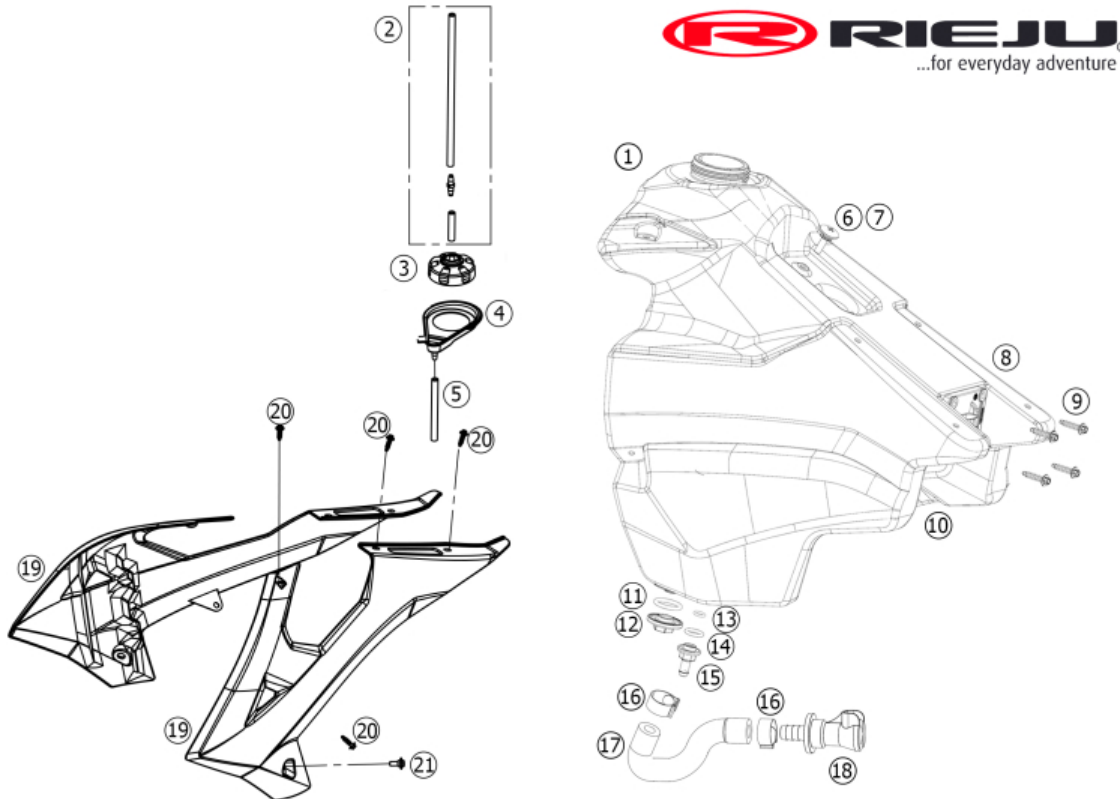
Faro Delantero



1	COMPLETE HEADLIGHT MR RED 0/K00.620.9103 (u. 1)
2	HEADLIGHT HOLDER MR RED 0/000.620.9103 (u. 1)
3	HEADLIGHT RUBBER HOLDER D.38 PP HP2070291G 0/000.360.9102 (u. 2)
5	6X16 ULS SCREW ISO 7380-1 BLACK 12.9 0/000.460.9156 (u. 2)
6	LEFT FRONT OVAL INDICATOR/RIGHT REAR 0/000.150.2200 (u. 1)
7	NUT + WASHER M-6 SERRATED DIN 6923 ZINC 8 0/000.340.9116 (u. 2)
8	FRONT RIGHT/REAR LEFT OVAL INDICATOR 0/000.150.2100 (u. 1)
9	4X12X1 FLAT WASHER DIN 9021 ZN AG CR3 0/000.440.9119 (u. 2) FLAT WASHER DIN 9021 M4 Z/WHITE 0/000.440.0021 (u. 2)
10	TORN.ESP. DIN 6921 Hex.8 TX30 C/Centrador 3,70 M6x7 Cal.10.9 GEOMET 0/000.460.9200 (u. 1)
11	SELF-LOCKING NUT M5 LOW DIN-985 ZINC 8 0/000.340.9112 (u. 1)
12	HEADLIGHT ADJUSTMENT PLATE 0/000.980.9103 (u. 1)
13	PLASTIC SCREW 4X10 ZN BLUE 0/000.460.9159 (u. 2)
14	HEADLIGHT ASSEMBLY WITH POSITION LIGHT PT-107 0/000.600.0270 (u. 1)
15	ADJUSTMENT SCREW HEADLIGHT SPRING 0/000.470.9107 (u. 1)

16	WASHER 5X12X1.5 DIN 125A ZINC 0/000.440.9121 (u. 2)
17	ALUMINIUM BUSHING ø5.5X10X6 0/000.480.9128 (u. 1)
19	SELF-LOCKING NUT M4 DIN 985 ZINC 8 0/000.340.9111 (u. 1)
20	HEADLIGHT BRACKET MR BLACK INJ. 0/000.980.9127 (u. 2)
21	2012 EC HEADLIGHT REINFORCEMENT TAB 0/000.980.9106 (u. 1)
22	ALLEN 4X25 DIN 912 ZINC 0/000.460.9144 (u. 1)
23	REGULATOR BOLT HEADLIGHT ELESA B.193/18 P M5X40 0/000.460.9106 (u. 1)
24	PLASTIC SCREW 4X10 ZN BLUE 0/000.460.9159 (u. 2)
25	SPECIAL PLASTIC SCREW 4X12 CELO RF87T VERZINKT 0/000.460.9160 (u. 4)

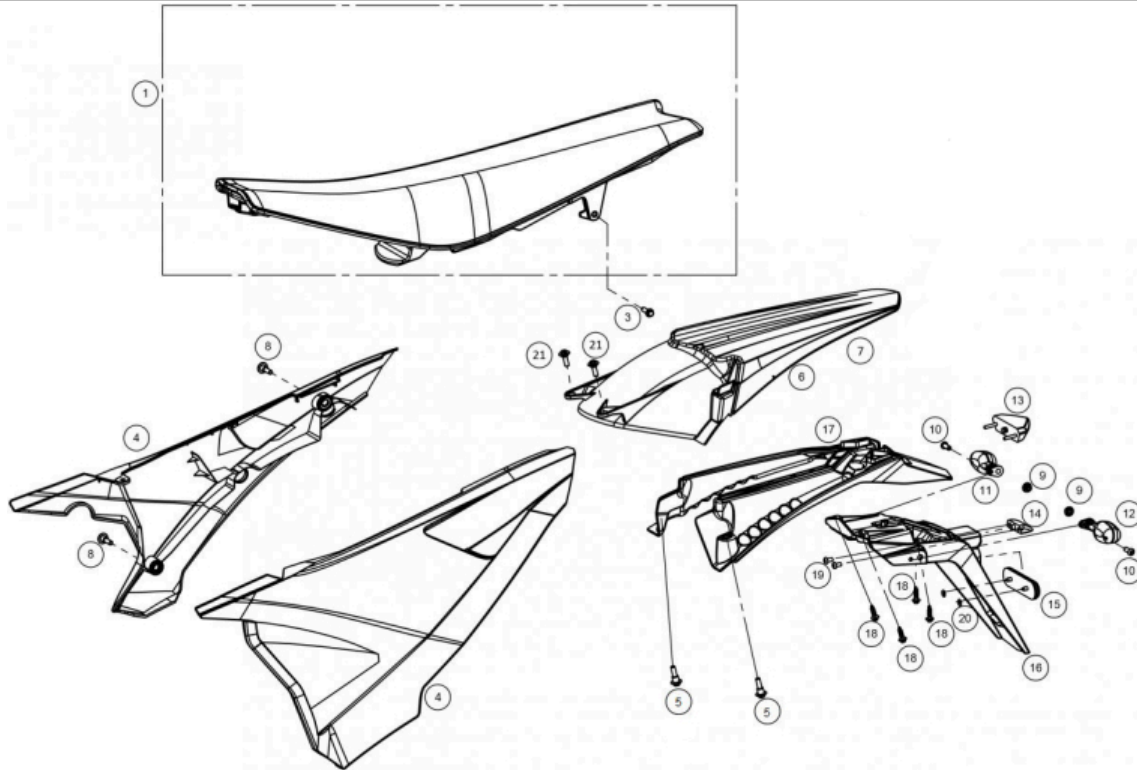
Depósito



1	ENDURO FUEL TANK MR 2025 0/000.030.9107 (u. 1)
2	SET FUEL TANK VENT HOSE 26cm 0/000.290.9115 (u. 1)
3	FUEL TANK CAP 2014 0/000.410.9102 (u. 1)
4	OVERFLOW FUEL TANK 0/000.570.9102 (u. 1)
5	OVERFLOW TUBE GASOLINE TANK ENDURO 0/000.290.9107 (u. 1)
6	SCREW DIN 6921 HEX.8 TX30 M6x14 CAL.10.9 GEOMET 0/000.460.9215 (u. 1)
7	SILENTBLOCK+WASHER AND GASOLINE TANK GASKET 0/000.360.9105 (u. 1)
8	FUEL PUMP MODULE SHORT 0/000.860.9104 (u. 1)
9	TORNILLO ROSCA PLASTICO Hex.6 Ø6x25 Cal.10.9 GEOMET 0/000.460.9203 (u. 4)
10	TANK SCREW - SEAT Ø6x23 0/000.460.9177 (u. 1)
11	JUNTA TORICA Ø20,4 x 3,5 VITON 0/000.490.9149 (u. 1)
12	DRAIN PLUG FUEL TANK MR 2025 0/000.410.9117 (u. 1)
13	JUNTA TORICA Ø6 x 2 VITON 0/000.490.9147 (u. 1)
14	JUNTA TORICA Ø12,5 x 3 VITON 0/000.490.9148 (u. 1)
15	HYDRAULIC FITTING FUEL TANK MR 2025 0/000.460.9219 (u. 1)

16	ABRAZADERA COBRA Ø12/8 W4 0/000.680.0565 (u. 2) - 12 mm
	COBRA CLAMP Ø13/8 W4 0/000.680.0564 (u. 2) - 13 mm
17	TUBO GASOLINA MR 2025 0/000.290.9143 (u. 1)
18	CONECTOR DEPOSITO GASOLINA 0/000.630.9106 (u. 1)
19	RADIATOR COVER KIT MR RED 0/K00.570.9111 (u. 1)
20	PLASTIC THREAD SCREW HEX.6 WITH WASHER 6x20 0/000.460.9178 (u. 8)
21	TORN.ESP. DIN 6921 Hex.8 TX30 C/Centrador 3,70 M6x16 Cal.10.9 GEOMET 0/000.460.9179 (u. 2)

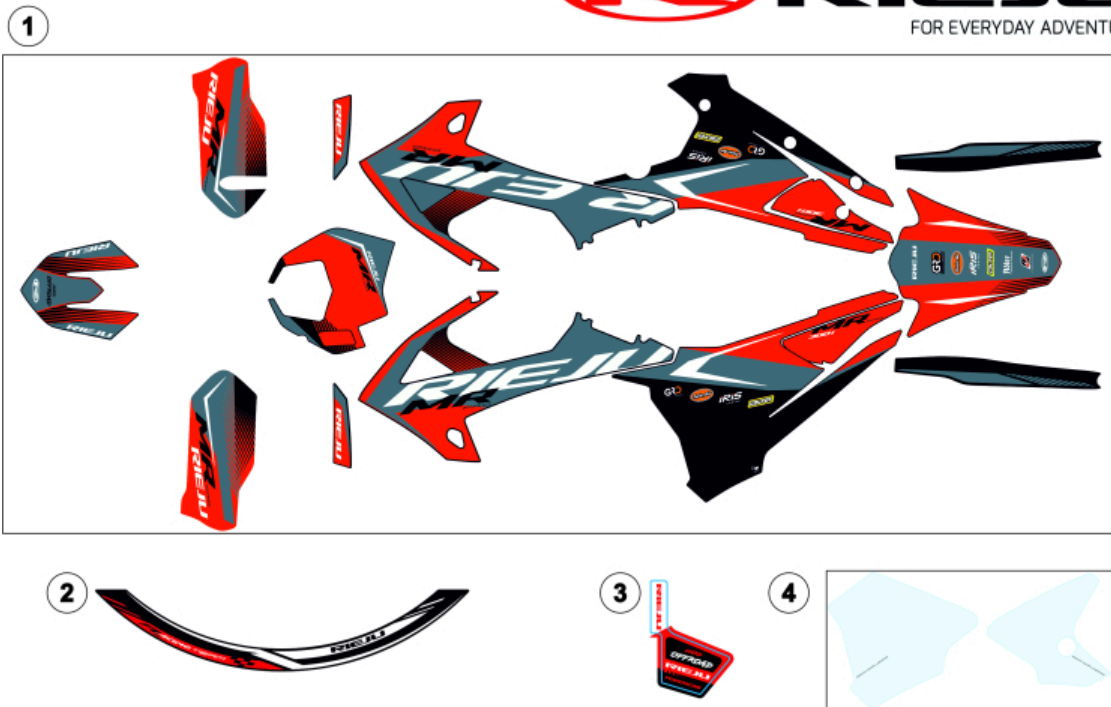
Plástica Trasera



1	SADDLE COVER MR PRO 2025 0/000.040.9118 (u. 1)	
3	SPECIAL BOLT DIN 6921 HEX.8 M6x25 GRADE 10.9 GEOMET 0/000.460.9121 (u. 1)	Obsolete
	TORN.ESP. DIN 6921 Hex.8 TX30 M6x25 Cal.10.9 GEOMET 0/000.460.9182 (u. 1)	
4	MR ROJAS NUMBER PLAQUE KIT 0/K00.570.9115 (u. 1)	
5	SCREW DIN 6921 Hex.8 TX30 WITH CENTERING 8.70 M6x16 GRADE 10.9 GEOMET 0/000.460.9202 (u. 2)	
6	REAR FENDER MR RED 0/000.060.9105 (u. 1)	
8	TORN.ESP. DIN 6921 Hex.8 TX30 C/Centrador 3,70 M6x16 Cal.10.9 GEOMET 0/000.460.9179 (u. 2)	
9	NUT + WASHER M-6 SERRATED DIN 6923 ZINC 8 0/000.340.9116 (u. 2)	
10	6X16 ULS SCREW ISO 7380-1 BLACK 12.9 0/000.460.9156 (u. 2)	
11	LEFT FRONT OVAL INDICATOR/RIGHT REAR 0/000.150.2200 (u. 2)	
12	FRONT RIGHT/REAR LEFT OVAL INDICATOR 0/000.150.2100 (u. 2)	
13	LED TAIL LIGHT V.2 0/000.150.9106 (u. 1)	
14	LED LICENSE PLATE LIGHT 2018 0/000.150.6001 (u. 1)	
15	CATADIOPTRIC 700R ENDURO 2007 0/000.630.9103 (u. 1)	
16	LICENSE PLATE HOLDER APPROVED MRT 2021 0/000.060.5302 (u. 1)	
17	LICENSE PLATE HOLDER SHORT EC 2018 0/000.060.9101 (u. 1)	

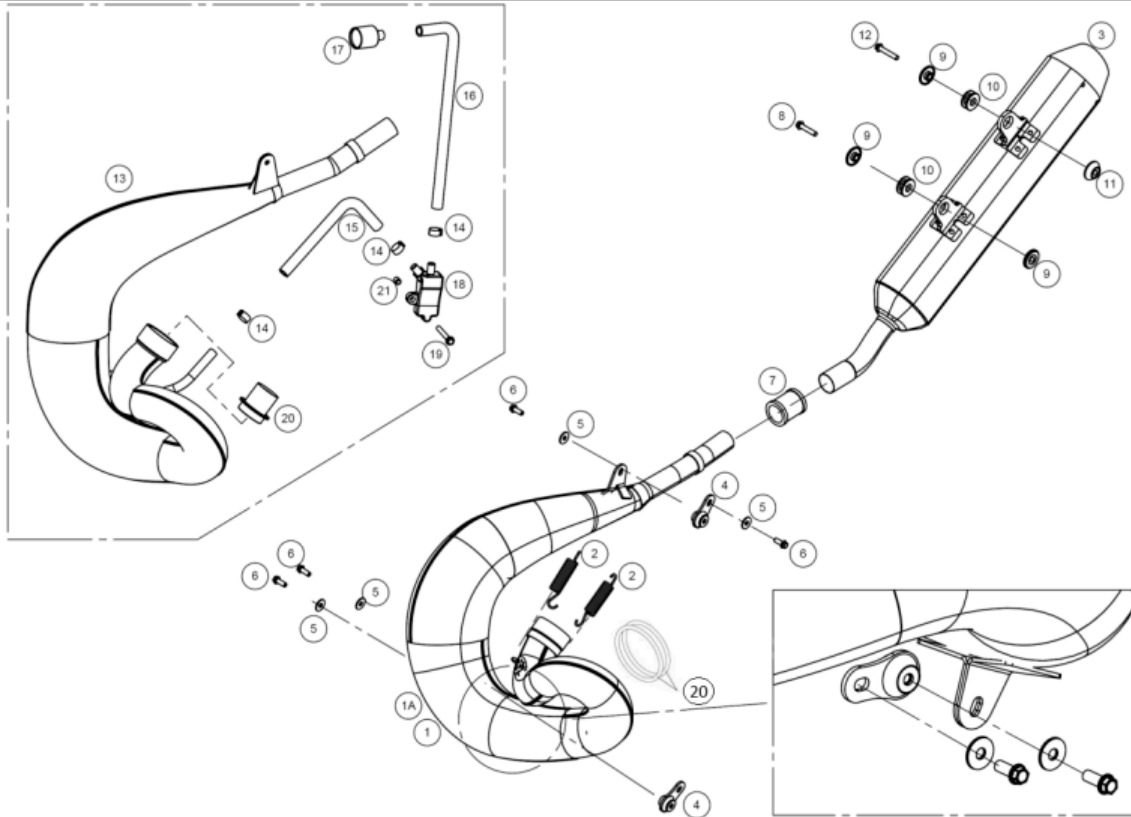
18	PLASTIC THREAD SCREW HEX.6 WITH WASHER 6x20 0/000.460.9178 (u. 4)
19	ULS TORX WITH WASHER 4X08 ISO 7380-2 STAINLESS STEEL A2 0/000.460.9158 (u. 2)
20	STAPLE 02110396 SRRM-5 REFLECTOR 0/000.440.9102 (u. 2)
21	TORN.ESP. DIN 6921 Hex.8 TX30 C/Center 3.70 M6x12 Cal.10.9 GEOMET 0/000.460.9180 (u. 2)

Adhesivos



1	MR PRO 2025 DECAL SET 0/000.390.9161 (u. 1)	
2	ADHESIVE RIM ENDURO RED 0/000.390.5140 (u. 8)	
3	EXHAUST STICKER MR 2022 0/000.390.9133 (u. 1)	Obsolete
4	LATERAL LENTICULAR DECAL SET MR 2022 0/000.390.9134 (u. 1)	

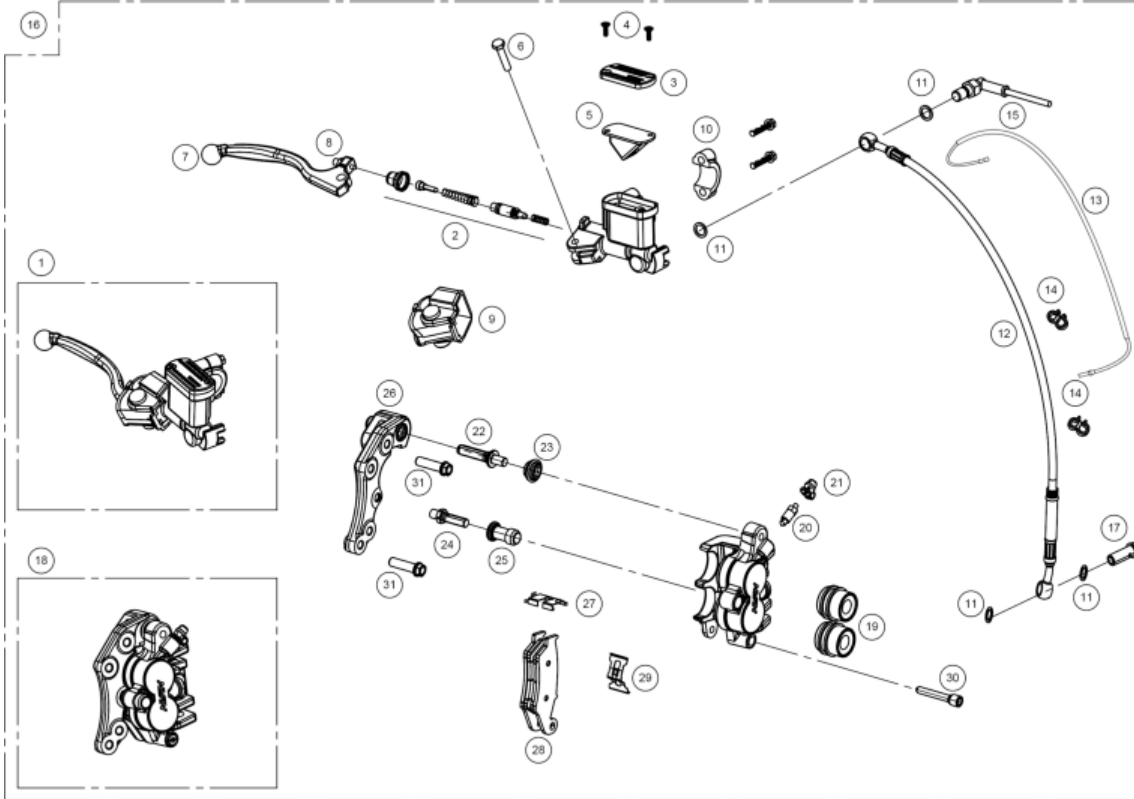
Escape



1	EXHAUST MR RIEJU BY OXA 2025 0/000.290.9147 (u. 1)
2	SPRING EXHAUST EC 0/000.470.9106 (u. 2)
3	FIBER FOR SILENCER MR 2022 0/000.870.9105 (u. 1)
	MR 2025 BLACK MUFFLER 0/000.870.9109 (u. 1)
4	SILENBLOCK EXHAUST PIPE ENDURO 0/000.360.9107 (u. 2)
5	WASHER 6X18X1.5 DIN 9021 ZINC 0/000.440.9126 (u. 4)
6	TORN.ESP. DIN 6921 HEX.8 TX30 M6x16 CAL.10.9 GEOMET 0/000.460.9216 (u. 4)
7	JUNTA ESCAPE - SILENCIOSO MR 2025 0/000.490.9144 (u. 1)
8	SCREW DIN 6921 Hex.8 TX30 M6x30 Thread.20 Grade.10.9 GEOMET 0/000.460.9183 (u. 1)
9	SILENCER COVER SHORT EC 2018 0/000.480.9115 (u. 3)
10	SILENBLOCK MUFFLER EC 2018 0/000.360.9108 (u. 2)
11	LONG SILENCER BUSH ENDURO 2018 0/000.480.9114 (u. 1)
12	SPECIAL BOLT DIN 6921 HEX.8 M6X35 CAL.10.9 GEOMET 0/000.460.9124 (u. 1)
13	ESCAPE MR 300 2025 HOMOLOGADO PINTADO NEGRO 0/000.290.9153 (u. 1)
15	HOSE IN VALVE AIS MRT 50 (FILTER BOX/V.AIS) 0/000.640.5023 (u. 1)

16	SLEEVE OUT VALVE AIS MRT 50 (V.AIS / EXHAUST) 0/000.640.5024 (u. 1)
17	AIS VALVE FILTER 0/227.013.0003 (u. 1)
18	SET AIS VALVE IN/OUT BI-DIRECTIONAL 0/000.640.0002 (u. 1)
19	HEX HEAD SCREW DIN 6921 M6x60 GRADE 10.9 GEOMET 0/000.460.9128 (u. 1)
20	O-RING Ø43x3 VITON 0/000.490.9168 (u. 2)

Freno Delantero



BOMBA FRENO DEL.NISSIN=BC25922008
BC25922008/2 (u. 1)

Obsolete

1 FRONT BRAKE PUMP NISSIN=BC25922008/2
0/000.820.9106 (u. 1)

2 A BRAKE PUMP PISTON KIT
BC25922219 (u. 1)

3 BRAKE PUMP COVER
BC25922210 (u. 1)

4 SCREW COVER PUMP 049-Z02-064
BC25922217 (u. 2)

5 NOFOAM RUBBER 003-M68-042
BC25922216 (u. 1)

6 SPECIAL SCREW
BC25922212 (u. 1)

7 FRONT BRAKE LEVER TT250 2904 (3274)
BC250022045R (u. 1)

8 NISSIN LEVER TENSIONER 003-M84-107
BC25922218 (u. 1)

9 DUST COVER
BC25922213 (u. 1)

10 CLAMP
BC25922211 (u. 1)

11 (PACK OF 5 PCS.) BANJO BOLT WASHER 10X14X1
BE25622007-B (u. 4)

HOSE WASHER 10X14X1
BE25622007 (u. 4)

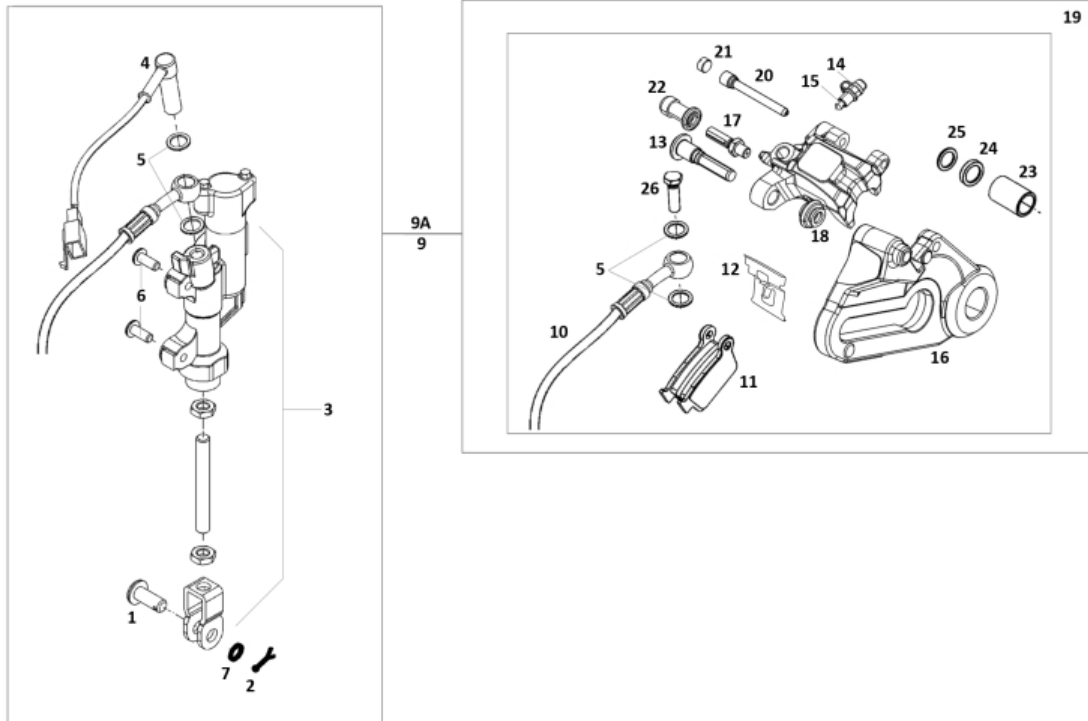
Obsolete

12 FRONT BRAKE HOSE
BE250422002 (u. 1)

13 ENDURO KMS ACCOUNT SENSOR
0/001.010.9100 (u. 1)

14	SPEEDO CABLE HOLDER CLIP KMS ACCOUNT 2008 0/000.630.9104 (u. 2)
15	SWITCH 23-016/1 STOP NISSIN PUMP 3 0/000.720.9104 (u. 1)
16	FRONT BRAKE BLEEDING SET ENDURO 2004 0/000.820.9107 (u. 1)
17	HOSE HOLDER RACORD 10X1.25 BC25722006 (u. 1)
18	FRONT BRAKE CALIPER + SUPPORT 272-C00-400 EC-2007 0/000.860.9101 (u. 1)
19	PISTON REPAIR KIT 272-C98-129 BE620422508 (u. 1)
20	BLEEDER KIT EC 142-D98-103 BE620602508 (u. 1)
21	BLEEDER CAP NISSIN 009-Z51-015 BE250022055 (u. 1)
22	GUIDE SCREW NISSIN 002-C46-086 BE250022092 (u. 1)
23	DUST COVER EC 002-C40-101 BE620682508 (u. 1)
24	BRAKE CALIPER PIN BOLT 082-C48-023 BE250022034 (u. 1)
25	DUST COVER CALIPER EC 002-C49-104 BE620692508 (u. 1)
26	FRONT CALIPER SUPPORT BE620102508 (u. 1)
27	BRAKE PADS HOLDER BRACKET 002-C80-014 BE620122508 (u. 1)
28	KIT FRONT BRAKE PADS BE620652508 (u. 1)
29	BRAKE PADS HOLDER BRACKET EC 002-C30-110 BE620112508 (u. 1)
30	FRONT BRAKE CALIPER PIN BE250022041 (u. 1)
31	HEXAGONAL FLANGE SCREW DIN 6921 M8x30 THREAD 22 GRADE 10.9 GEOMET 0/000.460.9138 (u. 2)

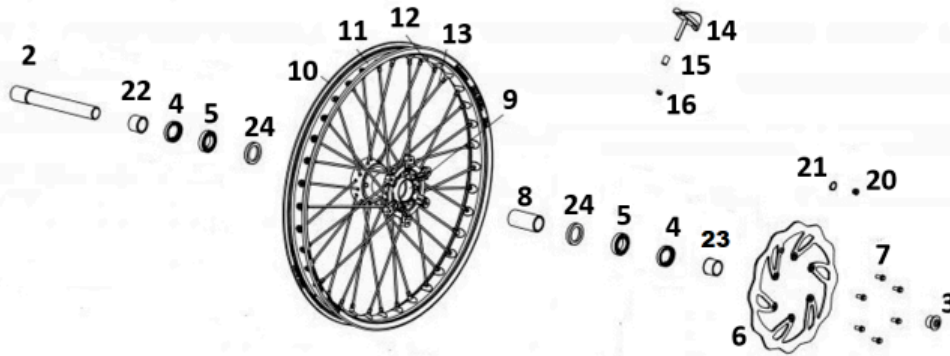
Freno Trasero



1	BRAKE PEDAL PIN 8X20 0/000.840.9101 (u. 1)	
2	2X20 BRAKE PIN STOPPER 0/000.840.9102 (u. 1)	
3	SET. REAR BRAKE PUMP EC 2018 0/000.820.9105 (u. 1)	
4	SWITCH 23-016/1 STOP NISSIN PUMP 3 0/000.720.9104 (u. 1)	
5	(PACK OF 5 PCS.) BANJO BOLT WASHER 10X14X1 BE25622007-B (u. 4) HOSE WASHER 10X14X1 BE25622007 (u. 4)	Obsolete
6	TORN.ESP. DIN 6921 HEX.8 TX30 M6x16 CAL.10.9 GEOMET 0/000.460.9216 (u. 2) M6x16 HEX HEAD SCREW DIN 6921 GRADE 10.9 GEOMET 0/000.460.9119 (u. 2)	Obsolete
7	WASHER 8X16X1 ZINC-PLATED BRAKE PEDAL GASGAS 0/000.440.0302 (u. 1)	
8	CLAMP 2.5x100 T18ROS-PA66HS-BK 0/000.680.0081 (u. 3) SHORT UNEX NYLON CLAMP 2.5X98 0/000.660.9106 (u. 3)	
9	SET REAR BRAKE EC-2018 0/000.820.9104 (u. 1)	
10	NISSIN REAR BRAKE HOSE BE661002509 (u. 1)	
11	REAR BRAKE PADS KIT BE675002509 (u. 1)	
12	REAR BRAKE PADS HOLDER BRACKET (B) BE250022091 (u. 1)	
13	CALIPER HOLDER SCREW BE250022096 (u. 1)	

14	BLEEDER CAP NISSIN 009-Z51-015 BE250022055 (u. 1)
15	BLEEDER NISSIN 079-Z50-001 BE250022060 (u. 1)
16	REAR BRAKE CALIPER SUPPORT NISSIN EC-2009 BE671002509 (u. 1)
17	BRAKE CALIPER PIN BOLT 082-C48-023 BE250022034 (u. 1)
18	DUST COVER EC 002-C40-101 BE620682508 (u. 1)
19	REAR BRAKE CALIPER SET + BRACKET EC-2009 0/000.860.9102 (u. 1)
20	BRAKE PADS PIN REAR 002-C50-053 BE250022094 (u. 1)
21	NISSIN PIN PROTECTOR BE250022095 (u. 1)
22	DUST COVER CALIPER EC 002-C49-104 BE620692508 (u. 1)
23	REAR BRAKE CALIPER PISTON BE675602509 (u. 1)
24	REAR BRAKE CALIPER SEAL EC-2009 250-C43-0 BE675502509 (u. 1)
25	SEAL REAR BRAKE CALIPER EC-2009 BE675552509 (u. 1)
26	HOSE HOLDER RACORD 10X1.25 BC25722006 (u. 1)

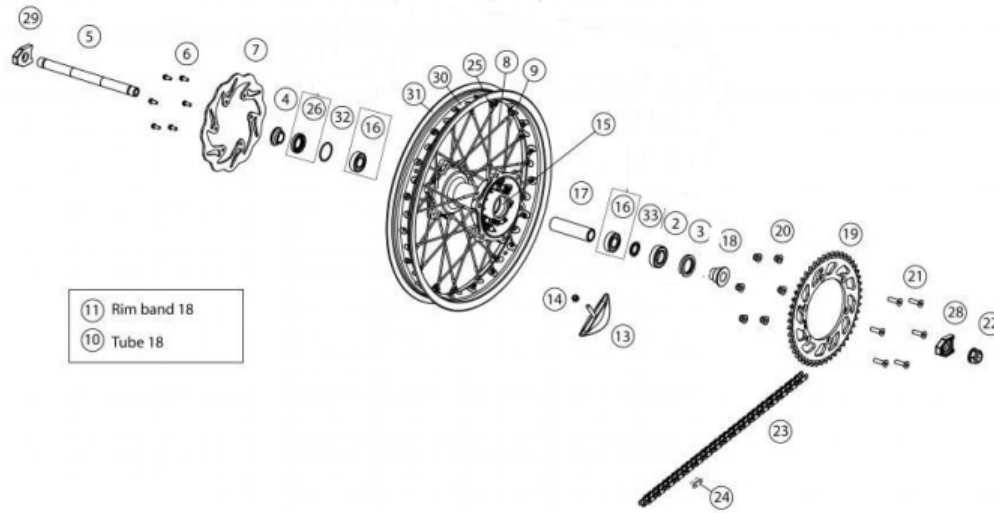
Rueda Delantera



2	FRONT WHEEL AXLE EC-2011 20.8CM 0/000.190.9102 (u. 1)
	FRONT AXLE INNER SCREW MR2022 0/000.460.9166 (u. 1)
3	FRONT WHEEL AXLE NUT 0/000.340.9100 (u. 1)
4	SEAL 36x47x7 0/000.890.9111 (u. 2)
5	BEARING 6005 2RS 25x47x12 0/000.960.9117 (u. 2)
6	DISCO FRENO DELANTERO MR PRO 260mm 0/001.090.9109 (u. 1)
7	TORN.ESP. DIN 6921 Hex.8 TX30 M6x14 C/Tuflock 306 Yellow Cal.10.9 GEOMET 0/000.460.9199 (u. 6)
8	FRONT HUB BEARING SEPARATOR 0/000.480.9139 (u. 1)
9	RED ANODIZED FRONT HUB MR PRO 0/000.070.9100 (u. 1)
10	SET OF SPOKED FRONT WHEEL MR PRO 2022 0/000.110.9103 (u. 1)
11	FRONT WHEEL EXCEL 1.60x21.0 BLACK ANODIZED 0/000.230.9106 (u. 1)
12	NIPPLE 7.6x19.2 8G 32 0/000.340.9127 (u. 36)
13	FRONT SPOKE 1.60x21" 0/000.540.9100 (u. 36)
14	FRONT WHEEL HOLDER 1.6x21 0/000.220.9114 (u. 1)
15	FRONT TIRE HOLDING BUSHING EC-2010 8X12X12 0/000.480.9112 (u. 1)
16	SELF-LOCKING NUT M-8 LOW DIN 985 ZINC 0/000.340.9114 (u. 1)
	NUT DIN 985 M8 GRADE 8 ZINC/WHITE 0/000.340.0181 (u. 1)
18	FRONT TUBE 21MDR VALVE TR4 833092 0/000.520.9100 (u. 1)

19	PROT.BAND FRONT.FLAP 1.60/1.85 X 21(1400X25) 949947 0/000.220.9108 (u. 1)
20	MAGNET EC 2010 0/001.010.9101 (u. 1)
21	SEGEER A 9 DIN 471 STAINLESS STEEL MAGNET BRACKET EC 2010 0/000.300.9100 (u. 1)
22	FRONT WHEEL LH SPACER 0/000.480.9137 (u. 1)
23	FRONT WHEEL SPACER RH 0/000.480.9138 (u. 1)
24	BEARING SPACER RING 0/000.300.9109 (u. 2)

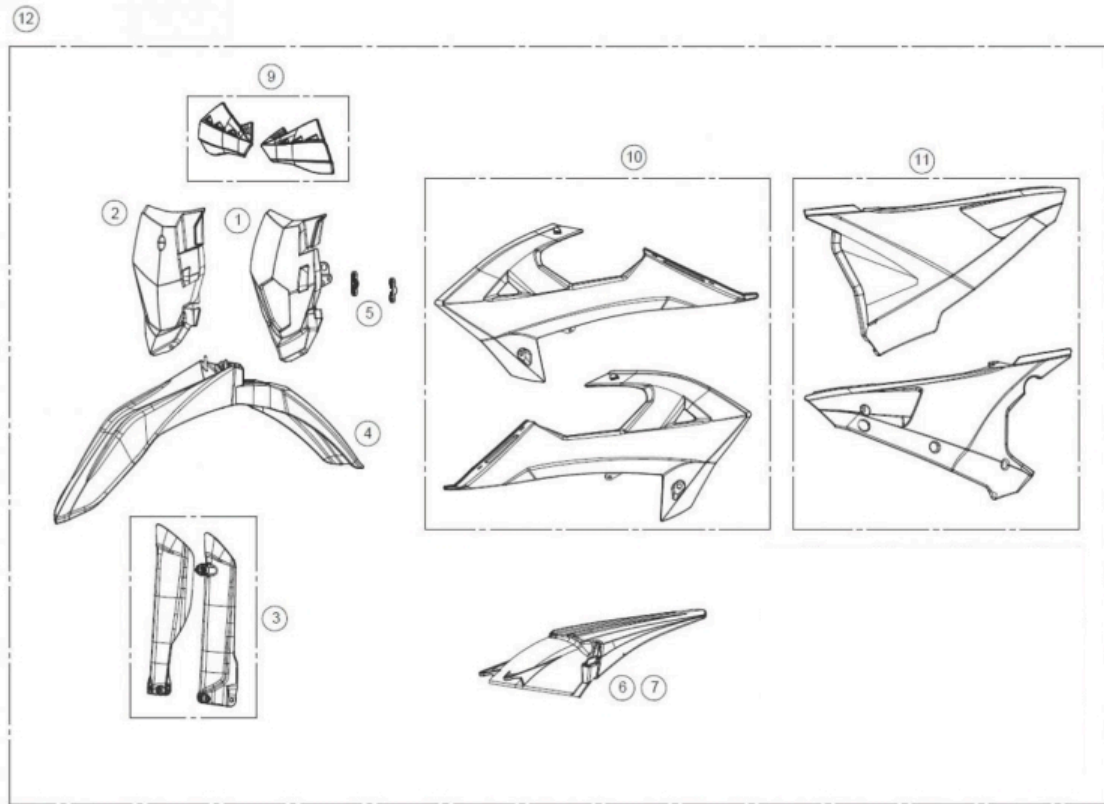
Rueda Trasera



2	BEARING 6005 2RS 25x47x12 0/000.960.9117 (u. 2)	
3	SEAL 36x47x7 0/000.890.9111 (u. 2)	
4	REAR WHEEL SPACER RH 0/000.480.9141 (u. 1)	
5	AXLE REAR WHEEL EC 2018 0/000.190.9103 (u. 1)	
6	HEX BOLT WASHER 6x14 (Fork Brace) DIN 6921 0/000.460.9118 (u. 6)	Obsolete
	SCREW DIN 6921 HEX.8 TX30 M6x14 CAL.10.9 GEOMET 0/000.460.9215 (u. 6)	
7	REAR DISC BRAKE MR 220mm 0/001.090.9108 (u. 1)	
8	REAR SPOKE DISC SIDE 2.50x18" 0/000.540.9102 (u. 18)	
9	REAR SPOKE PLATE SIDE 2.50x18" 0/000.540.9101 (u. 18)	
10	REAR TUBE CH 18 MGR VALVE TR4 MICHELIN 0/000.520.9102 (u. 1)	
11	REAR BAND PROTECTOR 1.60/2.00 X 18/19 (1300X25) 656415 MICHELIN 0/000.220.9110 (u. 1)	
13	REAR GRIP 2.15x18 0/000.220.9115 (u. 1)	
14	SELF-LOCKING NUT M-8 LOW DIN 985 ZINC 0/000.340.9114 (u. 1)	
	NUT DIN 985 M8 GRADE 8 ZINC/WHITE 0/000.340.0181 (u. 1)	
15	RED ANODIZED REAR HUB MR PRO 0/000.080.9100 (u. 1)	
16	BEARING 6005 2RS 25x47x12 0/000.960.9117 (u. 2)	

17	REAR SPOOL BEARING SEPARATOR 0/000.480.9142 (u. 1)	
18	REAR WHEEL SPACER LH 0/000.480.9140 (u. 1)	
19	PLATO ARRASTRE z50 520 5/8"x1/4" r.10,16 e6 ANODIZADO NEGRO 0/000.500.9108 (u. 1)	
20	M8 NUT DIN 6926 GRADE 8 ZINC/WHITE 0/000.340.0180 (u. 6)	
21	SCREW DIN 7991 TX45 M8x33 Grade 12.9 GEOMET 0/000.460.9207 (u. 6)	
22	REAR WHEEL NUT. ENDURO 2018 0/000.340.9104 (u. 1)	
23	520 X-RING CHAIN WITH SPROCKET PACKAGED 114 LINKS 0/001.050.9103 (u. 1)	
24	CHAIN LINK 520 X-RING 0/001.050.9110 (u. 1)	
25	NIPPLE 7.6x19.2 8G 32 0/000.340.9127 (u. 36)	
26	SEAL 36x47x7 0/000.890.9111 (u. 1)	
28	CHAIN TENSIONER PASS-THROUGH ENDURO 2018 0/000.380.9101 (u. 1)	
29	CHAIN TENSIONER BLIND ENDURO 2018 0/000.380.9100 (u. 1)	
30	REAR WHEEL EXCEL 2.15x18.0 BLACK ANODIZED 0/000.230.9107 (u. 1)	
31	SET. SPOKED REAR WHEEL MR PRO 2022 0/000.120.9103 (u. 1)	Obsolete
32	BEARING SPACER RING 0/000.300.9109 (u. 1)	
33	BEARING SPACER RING 0/000.300.9109 (u. 1)	

Plásticos



1	HEADLIGHT HOLDER MR RED 0/000.620.9103 (u. 1)
2	FRONT NUMBER PLATE CROSS COUNTRY 2018 WHITE 0/000.570.9113 (u. 1)
3	SET PROT.UPSIDE-DOWN FORK MR BLACK 0/000.220.9118 (u. 1)
4	RED FRONT FENDER 0/000.050.9102 (u. 1)
5	HEADLIGHT BRACKET MR BLACK INJ. 0/000.980.9127 (u. 2)
6	REAR FENDER MR RED 0/000.060.9105 (u. 1)
9	BLACK ENDURO HANDGUARDS (BULLIT) WITHOUT BRACKET 0/000.770.9113 (u. 1)
10	RADIATOR COVER KIT MR RED 0/K00.570.9111 (u. 1)
11	MR ROJAS NUMBER PLAQUE KIT 0/K00.570.9115 (u. 1)
12	RIEJU MR RED/BLACK PLASTIC KIT (RIEJU) 0/K00.570.9114 (u. 1)

Accesorios



	T-SHIRT HARD OFF ROAD RED SIZE L 0/000.001.0272 (u. 1)	
	T-SHIRT HARD OFF ROAD RED SIZE M 0/000.001.0271 (u. 1) - <i>Camisa HARD OFF ROAD 2021</i>	Obsolete
10	HARD OFF ROAD RED SHIRT SIZE XL 0/000.001.0273 (u. 1)	Obsolete
	HARD OFF ROAD RED SHIRT SIZE XXL 0/000.001.0274 (u. 1)	
	HARD OFF ROAD RED SHIRT SIZE S 0/000.001.0270 (u. 1)	
	PANTS HARD OFF ROAD RED SIZE L 0/000.001.0277 (u. 1)	
	PANTS HARD OFF ROAD RED SIZE XXL 0/000.001.0279 (u. 1)	
20	HARD OFF ROAD PANTS RED SIZE M 0/000.001.0276 (u. 1)	
	HARD OFF ROAD RED PANTS SIZE XL 0/000.001.0278 (u. 1)	
	HARD OFF ROAD PANTS RED SIZE S 0/000.001.0275 (u. 1)	
	GLOVES HARD OFF ROAD 2021 XXL 0/000.001.0284 (u. 1)	Obsolete
	GLOVES HARD OFF ROAD 2021 S 0/000.001.0280 (u. 1)	Obsolete
30	GUANTES HARD OFF ROAD 2021 TALLA M 0/000.001.0281 (u. 1)	Obsolete
	GLOVES HARD OFF ROAD 2021 S.L 0/000.001.0282 (u. 1)	Obsolete
	GLOVES HARD OFF ROAD 2021 XL 0/000.001.0283 (u. 1)	Obsolete

40

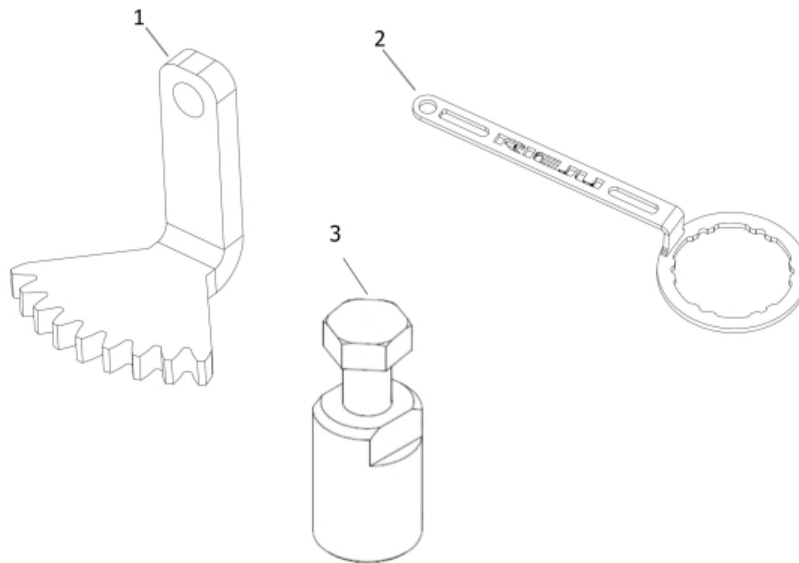
EC KIT TO CONVERT TO XC
BE99996CT-CMV-1 (u. 1)

Kit Diagnosis



- 1 KIT ECU REPROGRAMMING MR 2025 (DEALER)
0/K05.705.9103 (u. 1) - *Connexion cable and electric bridge connector*

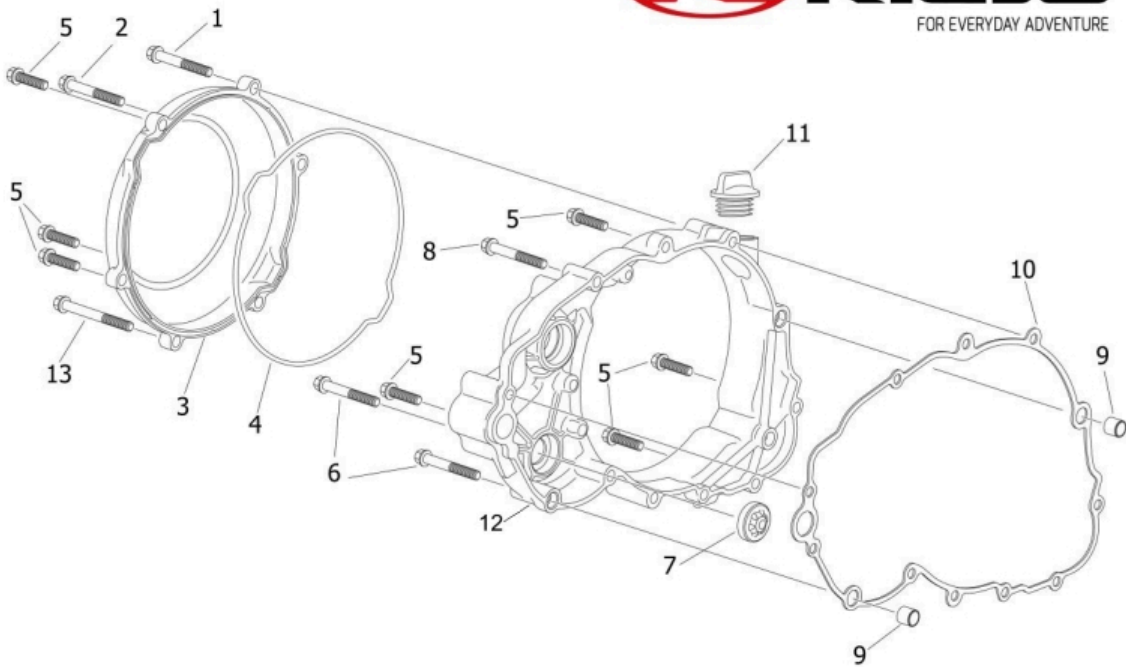
Útiles



- | | |
|---|--|
| 1 | PRIMARY LOCK TOOL MR
0/005.050.9102 (u. 1) |
| 2 | CLUTCH HUB TOOL MR
0/005.050.9101 (u. 1) |
| 3 | MAGNETIC FLYWHEEL PULLER MR
0/005.050.9100 (u. 1) |

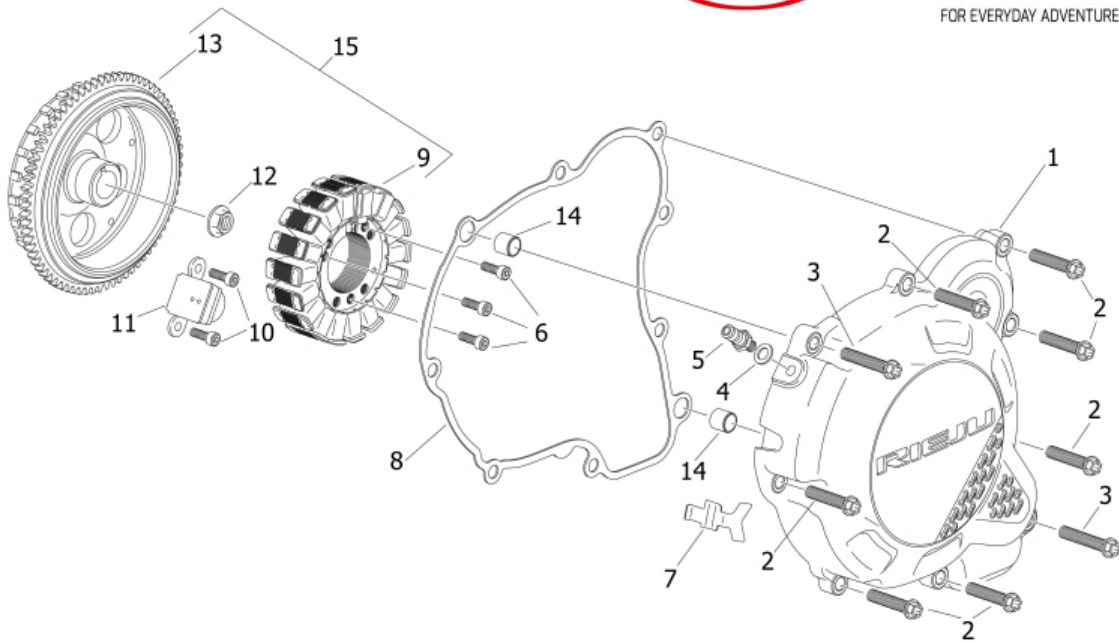
MOTOR MR 300i

CLUTCH COVER



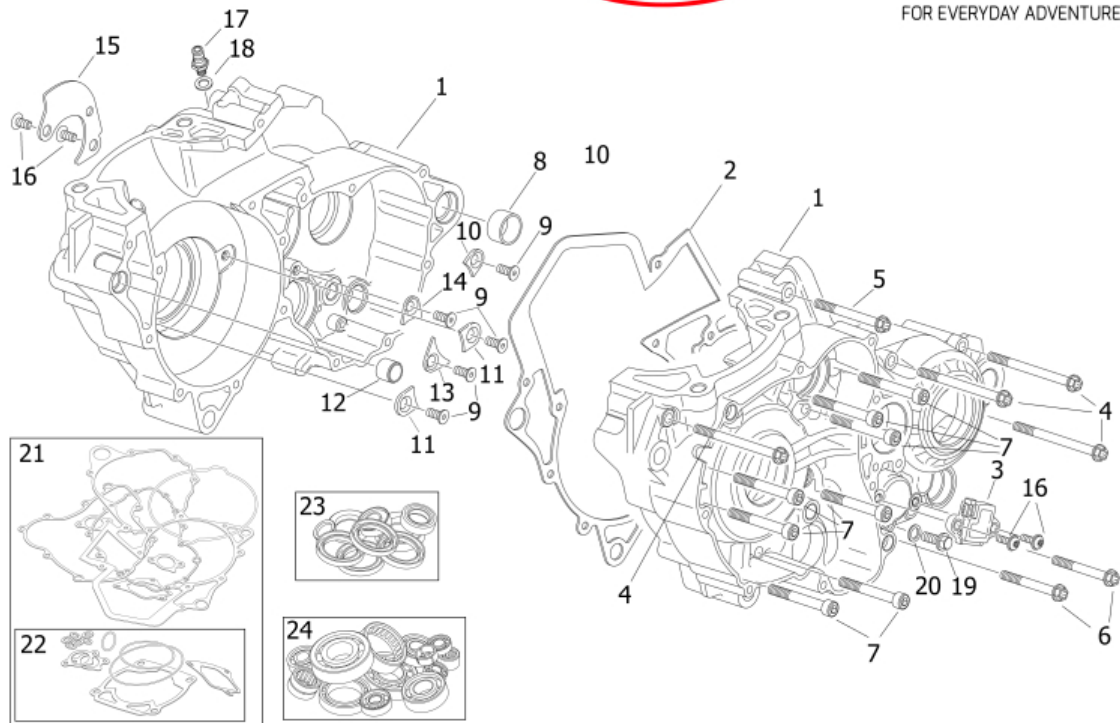
1	TORN.ESP. DIN 6921 Hex.8 TX30 M6x60 Fil.20 Cal.10.9 GEOMET 0/000.460.9188 (u. 1)	
2	TORN.ESP. DIN 6921 Hex.8 TX30 M6x65 Fil.20 Cal.10.9 GEOMET 0/000.460.9173 (u. 1)	
3	BLACK CLUTCH DISC COVER MR 2025 0/000.350.9114 (u. 1)	
4	JUNTA GOMA TAPA DISCOS MR 2025 0/000.490.9130 (u. 1)	
5	TORN.ESP. DIN 6921 Hex.8 TX30 M6x25 Cal.10.9 GEOMET 0/000.460.9182 (u. 7)	
6	ORIGINAL TEXT: TORN.ESP. DIN 6921 HEX.8 TX30 M6x50 FIL.20 CAL.10.9 GEOMET 0/000.460.9186 (u. 2)	
7	SIGHT GLASS OIL LEVEL EC400-4T 0/000.410.9106 (u. 1)	
8	TORN.ESP. DIN 6921 Hex.8 TX30 M6x40 Fil.20 Cal.10.9 GEOMET 0/000.460.9185 (u. 1)	
9	CASQUILLO CENTRADOR Ø10x6,5x11,5 0/000.480.9145 (u. 2)	
10	CLUTCH COVER GASKET MR 2025 0/000.490.9129 (u. 1)	
11	OIL CAP MR 2025 0/000.410.9114 (u. 1)	
12	TAPA EMBRAGUE GRIS MR 2025 0/000.350.9116 (u. 1)	
13	SPECIAL SCREW DIN 6921 HEX.8 M6x55 CAL.10.9 GEOMET 0/000.460.9127 (u. 1)	Obsolete
	TORN.ESP. DIN 6921 Hex.8 TX30 M6x55 Fil.20 Cal.10.9 GEOMET 0/000.460.9187 (u. 1)	

GENERATOR



1	MR 2025 IGNITION COVER 0/000.350.9118 (u. 1)
2	HEXAGONAL FLANGE SCREW DIN 6921 TX30 M6x20 GRADE 10.9 GEOMET 0/000.460.9181 (u. 7)
3	TORN.ESP. DIN 6921 Hex.8 TX30 M6x25 Cal.10.9 GEOMET 0/000.460.9182 (u. 2)
4	FIBER WASHER 6X10X1.5 0/000.440.9123 (u. 1)
5	CRANKCASE VENT NIPPLE D.3 0/000.630.9105 (u. 1)
6	TORNILLO DIN 912 Allen M5x30 Cal.12.9 GEOMET 0/000.460.9214 (u. 3)
7	STATOR WIRING SUPPORT 0/000.980.9132 (u. 1)
8	MR 2025 STEERING WHEEL COVER GASKET 0/000.490.9126 (u. 1)
9	ESTATOR MR ENDURO 2025 0/005.820.9107 (u. 1)
10	TORN.ESP. DIN 6921 Hex.8 TX30 M5x15 Cal.10.9 GEOMET 0/000.460.9204 (u. 2)
11	PICK UP MR ENDURO 2025 0/005.820.9106 (u. 1)
12	NUT M12x1.25 DIN 6927 ZINC 0/000.340.9115 (u. 1)
13	ROTOR MR ENDURO 2025 0/005.820.9105 (u. 1)
14	CASQUILLO CENTRADOR Ø10x6,5x11,5 0/000.480.9145 (u. 2)
15	IGNITION KIT MR 2025 0/K05.820.9100 (u. 1)

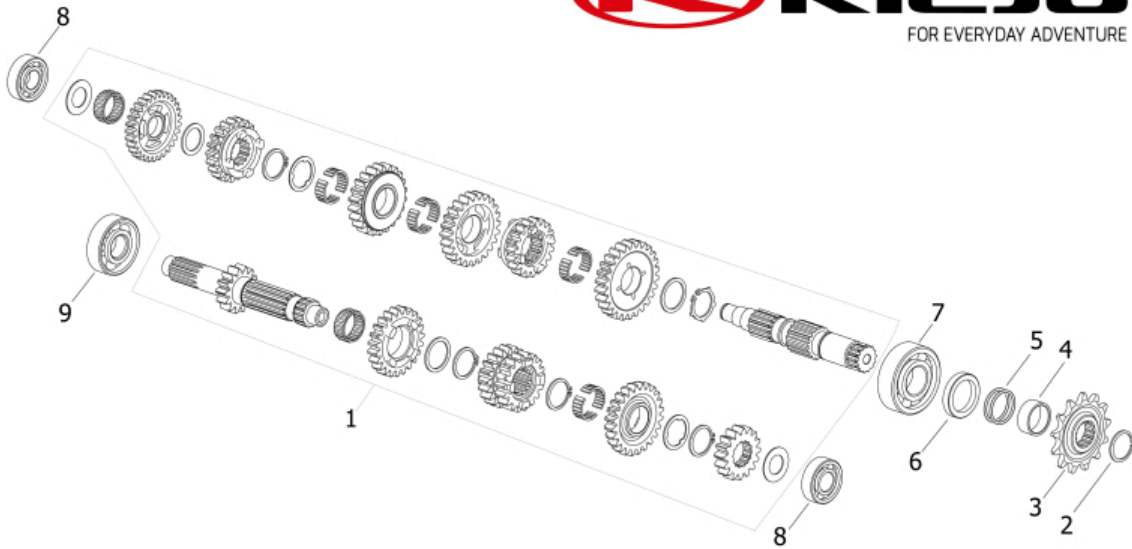
CARTER



1	KIT CARTERS MR 2025 0/K05.700.9100 (u. 1)
2	CARTER MR 2025 CENTRAL BOARD 0/000.490.9125 (u. 1)
3	GEAR SHIFT POSITION SENSOR (GPS) MR 2025 0/001.010.9110 (u. 1)
4	TORN.ESP. DIN 6921 Hex.8 TX30 M6x65 Fil.20 Cal.10.9 GEOMET 0/000.460.9173 (u. 4)
5	TORN.ESP. DIN 6921 Hex.8 TX30 M6x55 Fil.20 Cal.10.9 GEOMET 0/000.460.9187 (u. 1)
6	ORIGINAL TEXT: TORN.ESP. DIN 6921 HEX.8 TX30 M6x50 FIL.20 CAL.10.9 GEOMET 0/000.460.9186 (u. 2)
7	TORNILLO DIN 912 Allen M6x50 Cal.12.9 GEOMET 0/000.460.9174 (u. 8)
8	CASQUILLO CENTRADOR Ø21x17,25x12 0/000.480.9144 (u. 1)
9	SCREW DIN 7991 Allen M5x12 Grade 12.9 BLACKENED 0/000.460.9225 (u. 5)
10	CHAPA D40 SECUNDARIO PAVONADO 0/000.220.9163 (u. 1)
11	CHAPA COJINETE CIGÜEÑAL PAVONADO 0/000.220.9162 (u. 2)
12	CASQUILLO CENTRADOR Ø14x11x12 0/000.480.9143 (u. 1)
13	CHAPA COJINETE PAVONADO 0/000.220.9164 (u. 1)
14	CHAPA COJINETE DESMODROMICO Z/NEGRO 0/000.220.9165 (u. 1)
15	CHAPA EJE BALANCE MR 2024 Z/NEGRO 0/000.220.9161 (u. 1)

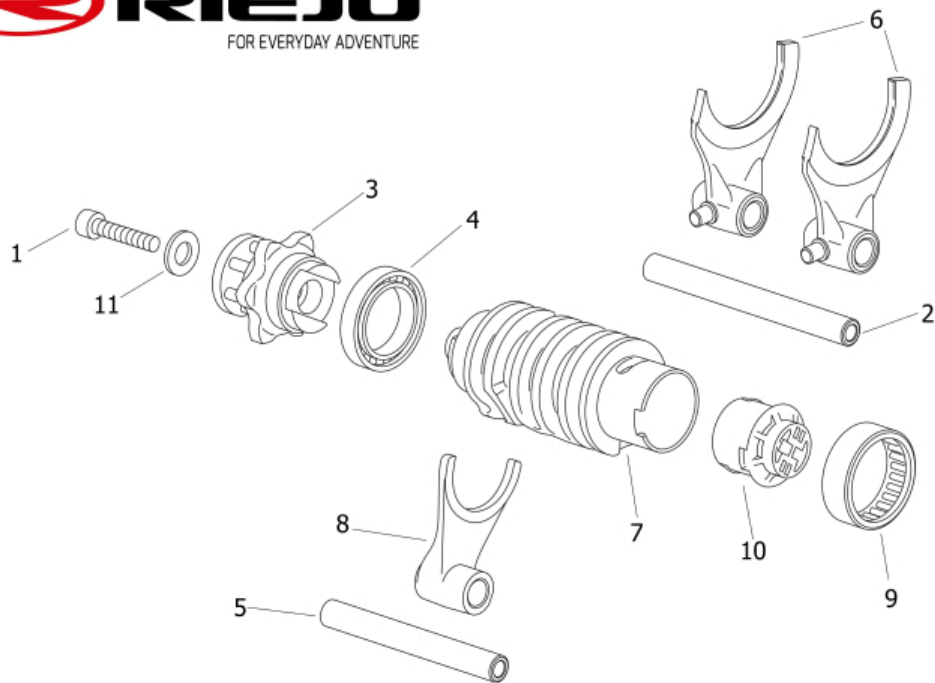
16	SCREW ISO 7380 Torx T-25 WITH WASHER M5x10 STAINLESS STEEL 0/000.460.0105 (u. 4)
17	CRANKCASE VENT NIPPLE D.3 0/000.630.9105 (u. 1)
18	FIBER WASHER 6X10X1.5 0/000.440.9123 (u. 1)
19	HEXAGONAL OIL DRAIN PLUG 0/000.410.9104 (u. 1)
20	SPARK PLUG WASHER 12X18X2 0/000.440.9114 (u. 1)
21	ENGINE GASKET KIT MR 2025 0/K00.490.9100 (u. 1)
22	KIT GASKETS UPPER ENGINE PART MR 2025 0/K00.490.9101 (u. 1)
23	ENGINE SEALS KIT MR 2025 0/K00.890.9100 (u. 1)
24	ENGINE BEARING KIT MR 2025 0/K00.960.9100 (u. 1) - <i>Including both types of primary shaft bearings (960.9106+960.9125)</i>

GEARBOX



1	GEAR SHIFT SET 0/005.400.9107 (u. 1)
2	CIRCLIP DIN 471 D.25 0/000.300.9107 (u. 1)
3	OUTPUT SPROCKET TG421X12T 0/005.400.9113 (u. 1)
4	OUTPUT SHAFT SEAL BUSHING 0/000.260.9100 (u. 1)
5	SHAFT O-RING 25x2 NBR 0/000.490.9107 (u. 2)
6	COUNTERSHAFT SEAL TC 30x40x7 DOUBLE LIP 0/000.890.9106 (u. 1)
7	SHIFT BEARING 6305 C3 0/000.960.9113 (u. 1)
8	SHIFT BEARING 6203C3 0/000.960.9112 (u. 2)
9	SHIFT BEARING 6205-2RSH/C3 0/000.960.9106 (u. 1) - From engine n°: MR30-2525080572 RODAMIENTO CAMBIO 6304/22RS 52X22X15 0/000.960.9125 (u. 1) - Until engine n° : MR30-2525080571

GEAR SELECTOR



1 TORNILLO DIN 7984 Allen M6x40 Cal.10.9 PAVONADO
0/000.460.9208 (u. 1)

2 LONG FORK AXLE
0/000.190.9106 (u. 1)

3 Desmodromic Star MR 2025
0/005.090.9102 (u. 1)

4 BEARING 61805-2RS1
0/000.960.9118 (u. 1)

5 SHORT FORK AXIS
0/000.190.9107 (u. 1)

6 FORK.1-2-3-4
0/005.330.9100 (u. 1)

7 DESMODROMICO MR 2025
0/005.090.9101 (u. 1)

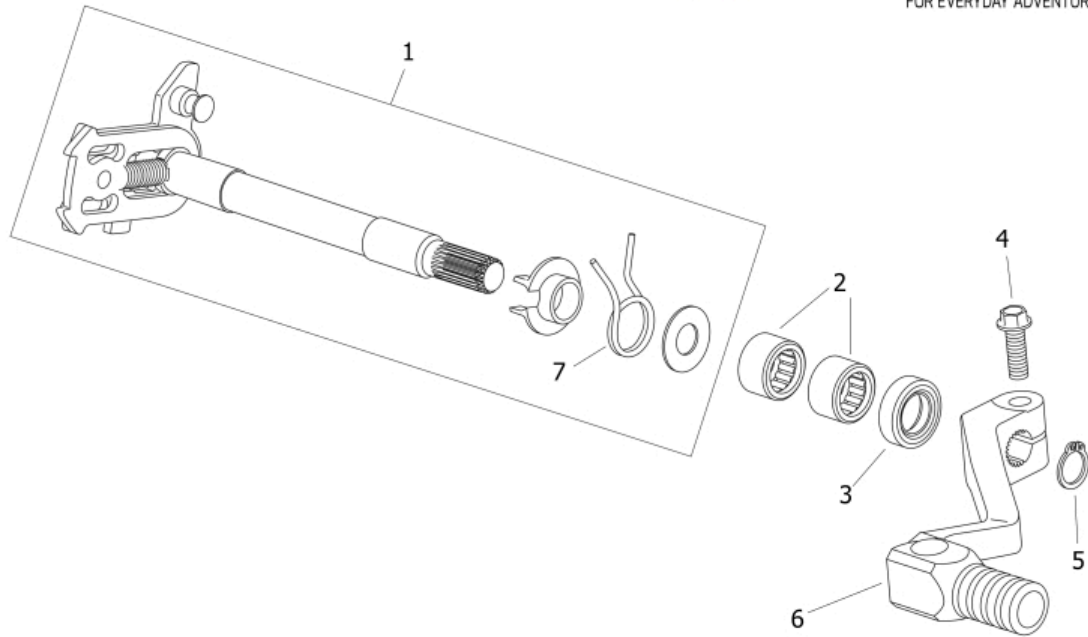
8 SHIFT FORK 5-6 ENDURO MR 2025
0/005.330.9102 (u. 1)

9 NEEDLE BEARING HK30-12
0/000.960.9127 (u. 1)

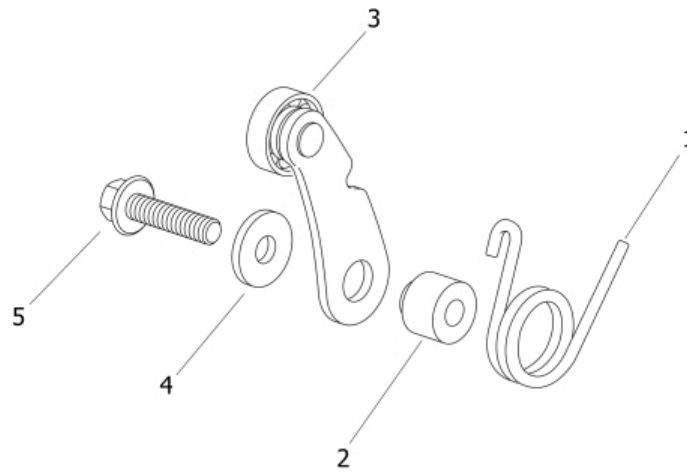
10 GPS SENSOR MAGNET
0/001.010.9111 (u. 1)

11 SCHNORR WASHER M6 STAINLESS STEEL
0/000.440.0042 (u. 1)

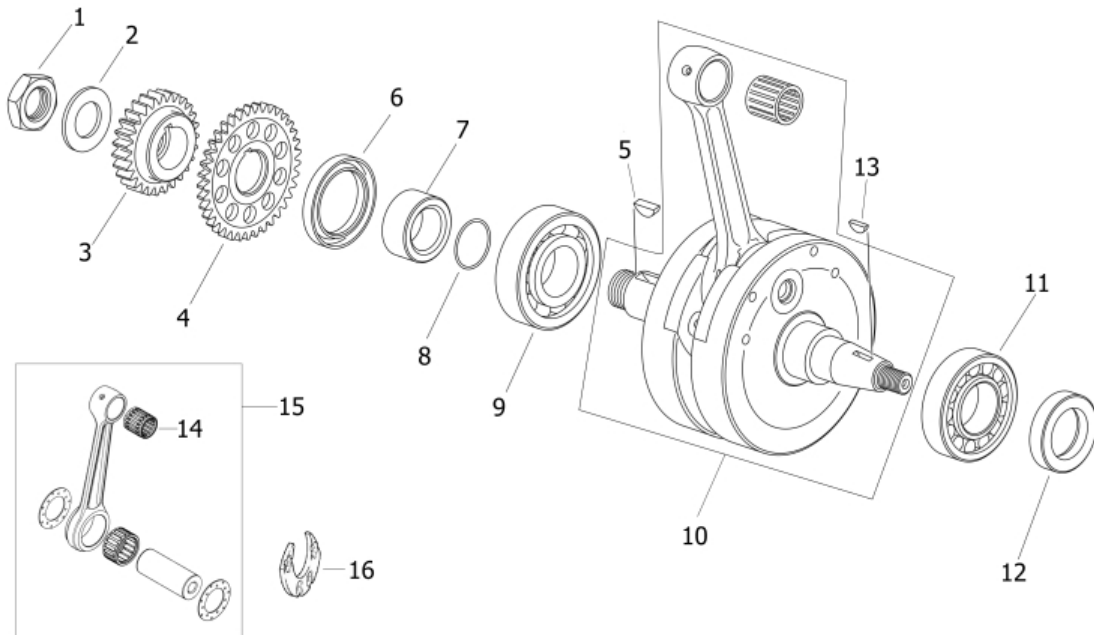
SELECTOR AXLE



1	COMPLETE SELECTOR SHAFT KIT MR 2025 0/K05.010.9101 (u. 1)
2	HK1412 BEARING - 20x14x12 0/000.960.9119 (u. 2)
3	TC 14x24x7 Retainer 0/000.890.9115 (u. 1)
4	HEXAGONAL FLANGE SCREW DIN 6921 TX30 M6x20 GRADE 10.9 GEOMET 0/000.460.9181 (u. 1)
5	SEEGERRING DIN 471 12 0/000.300.9104 (u. 1)
6	SHIFT PEDAL MR 2022 0/005.430.9104 (u. 1)
7	SELECTOR SPRING 0/000.470.9117 (u. 1)

GEAR SELECTOR CLAMP

1	MR 2025 GEAR LOCK RETURN SPRING 0/000.470.9118 (u. 1)
2	Z-POSITION BUSHING/WHITE 0/000.480.9147 (u. 1)
3	GEAR LOCK MR 2025 0/005.560.9101 (u. 1)
4	FLAT WASHER DIN 9021 M5 Z/WHITE 0/000.440.0233 (u. 1)
5	TORNILLO DIN 912 Allen M5x20 Cal.12.9 GEOMET 0/000.460.9210 (u. 1)

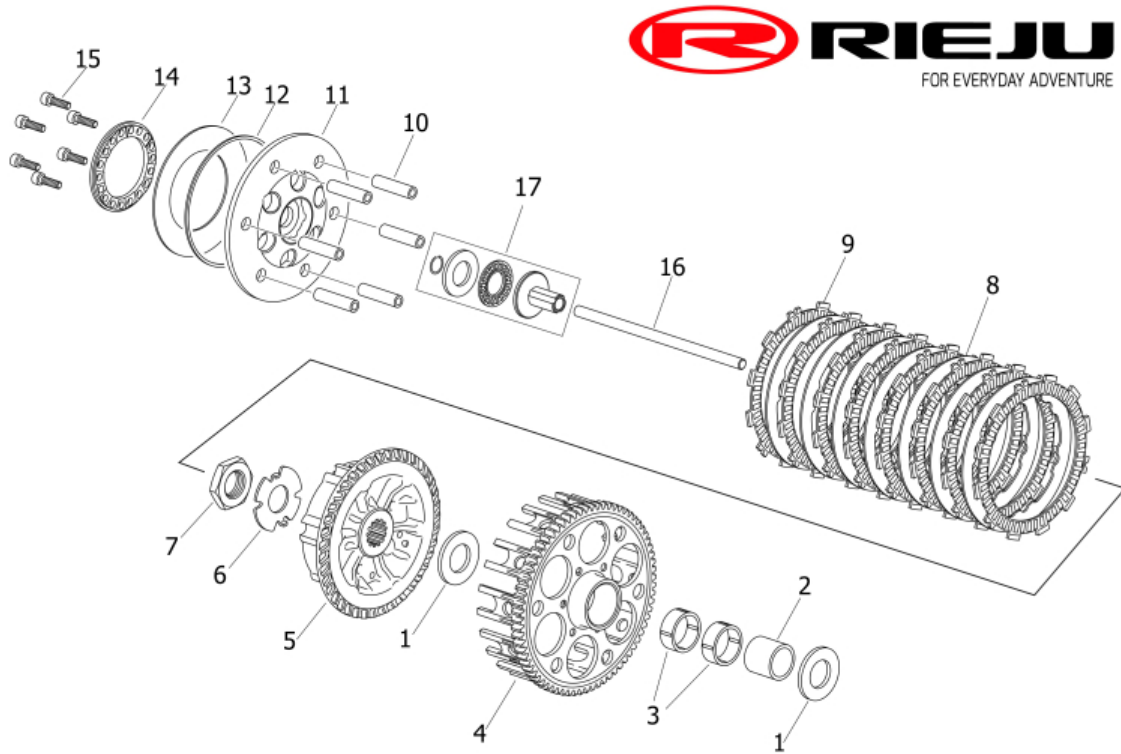
CRANKSHAFT ASSEMBLY


1	CRANKSHAFT PINION LOCKING NUT EC-2000 0/000.340.9106 (u. 1)
2	POLISHED WASHER DIN 125 D-20 ZINC 40-42HRC 0/000.440.9108 (u. 1)
3	PRIMARY TRANSMISSION SPROCKET Z27 02 0/005.400.9129 (u. 1)
4	PRIMARY TRANSMISSION SPROCKET Z27 01 0/005.400.9116 (u. 1)
5	KEY DIN 6888 16 X 5 X 6.5 0/005.490.9100 (u. 1)
6	RIGHT CRANKSHAFT SEAL TB2J 38-52 7 0/000.890.9102 (u. 1)
7	CRANKSHAFT BUSHING 0/000.480.9150 (u. 1)
8	CRANKSHAFT BUSHING O-RING Ø24.8 x 2.2 NBR 0/000.490.9164 (u. 1)
9	BEARING 63/28 C4 0/000.960.9123 (u. 1)
10	COMPLETE CRANKSHAFT MR 2025 0/P05.380.9101 (u. 1)
11	NJ 206 EAT2X BEARING 0/000.960.9124 (u. 1)
12	TCJ SEAL 22x40x7 CRANKSHAFT LH 0/000.890.9114 (u. 1)
13	CHAVETA DIN 6888 13 x 3 x 5 0/005.490.9105 (u. 1)
14	ROD RV 18X22X21.8 S CONNECTING ROD SMALL END BEARING ME25616035 (u. 1)
15	CONNECTING ROD ASSEMBLY MR 300i 0/000.770.9114 (u. 1)

16

NYLON CRANKSHAFT COUNTERWEIGHT 250-300
0/005.075.9101 (u. 1)

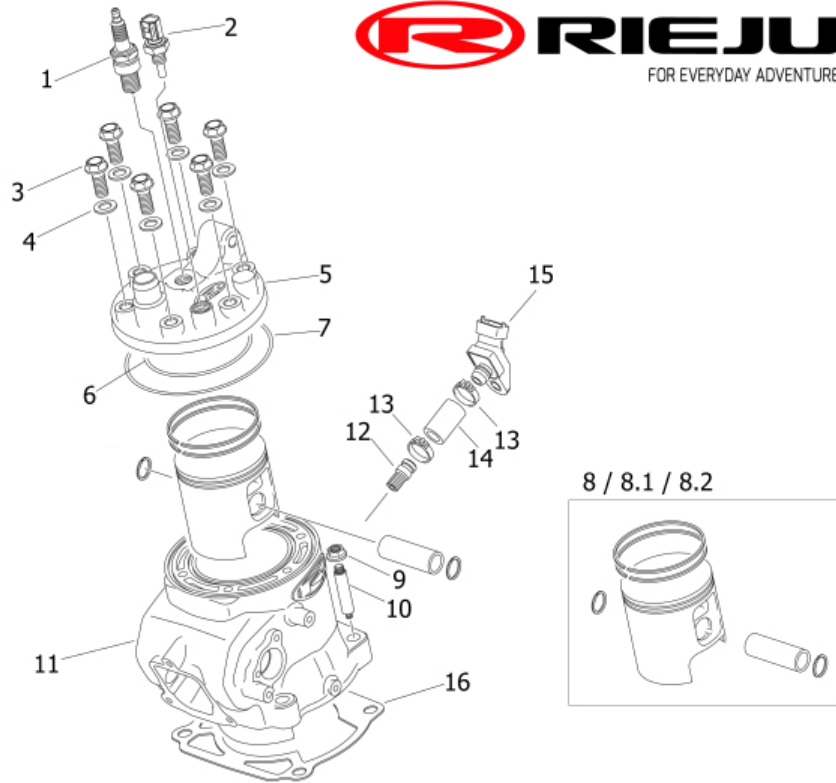
CLUTCH ASSEMBLY



1	CLUTCH BELL WASHER 22.1X42X2.8 0/000.440.9106 (u. 2)
2	MR 2025 CLUTCH BELL BUSHING 0/000.480.9156 (u. 1)
3	BEARING SET K28X33X13FV-M1 M3 0/000.980.9113 (u. 2)
4	CLUTCH BELL MR 2025 0/000.017.9100 (u. 1)
5	MR 2025 CLUTCH DRUM 0/000.017.9101 (u. 1)
6	CLUTCH LOCK WASHER ENDURO 0/000.440.9104 (u. 1)
7	CLUTCH HUB NUT 0/000.340.9107 (u. 1)
8	MR 2025 CLUTCH SEPARATOR DISC KIT (7 units) 0/005.350.9102 (u. 1)
9	SET CLUTCH DISKS MR 2025 (8 units) 0/005.350.9101 (u. 1)
10	CLUTCH PIN MR2025 0/000.960.9126 (u. 6)
11	MR 2025 CLUTCH PRESSURE 0/000.017.9102 (u. 1)
12	PRESSURE JOINT 0/000.490.9135 (u. 1)
13	BELLEVILLE WAHER 115,0 x 71 x 1,55 x 4,65 mm 0/000.017.9103 (u. 1)
14	CLUTCH ADJUSTMENT DISC MR 2025 0/000.017.9105 (u. 1)
15	DIN 7984 Torx/Allen M6x20 Cal.12.9 GEOMET SCREW 0/000.460.9212 (u. 6)

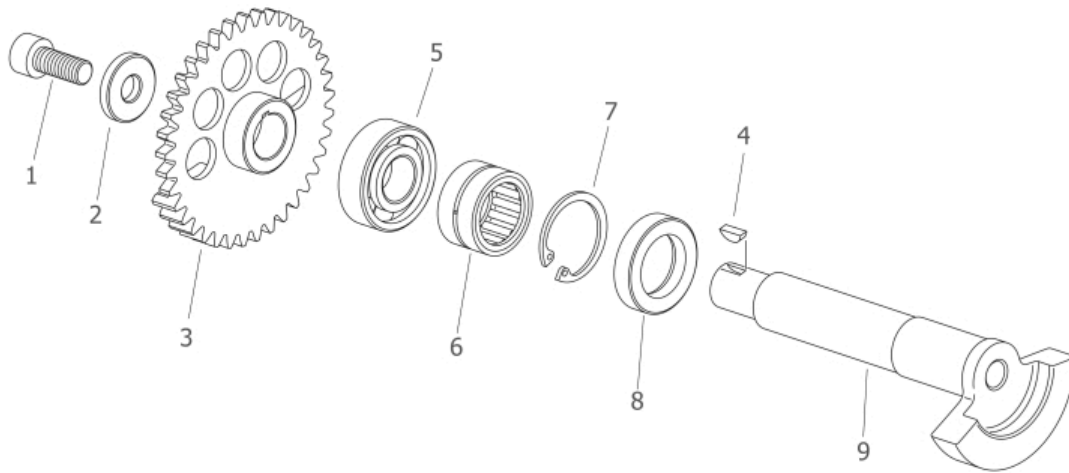
16	CLUTCH ROD MR 0/000.190.9105 (u. 1)
17	CLUTCH SLAVE CYLINDER REPAIR KIT MR 2025 0/K00.017.9100 (u. 1)

CYLINDER AND CYLINDER HEAD ASSEMBLY



1	SPARK PLUG W24ESRU/BR8ES 0/005.110.9101 (u. 1)
2	TEMPERATURE SENSOR M10x125 MR 2025 0/001.010.9104 (u. 2)
3	HEXAGON HEAD SCREW DIN 6921 M8x35 THREAD 25 GRADE 10.9 GE 0/000.460.9130 (u. 6)
4	COPPER WASHER 8.5x16x1.5 DIN 125 A ISO 7090 0/000.440.9130 (u. 6)
5	CYLINDER HEAD 300cc MR 2025 v.1 0/005.770.9112 (u. 1)
6	VITON O-RING Ø78x2 0/000.490.9136 (u. 1)
7	O-RING Ø110x2 NBR 0/000.490.9137 (u. 1)
8	MR 300 COMPLETE PISTON 0/005.711.9100 (u. 1)
8.1	COMPLETE PISTON MR 300 SIZE "B" 2025 0/005.711.9100B (u. 1)
8.2	PISTON COMPLETO MR 300 MEDIDA "C" 2025 0/005.711.9100C (u. 1)
9	NUT DIN 6923 ZINC 8.8 10/150 C13 0/000.340.9105 (u. 1)
10	MR 2025 CYLINDER ASPARAGUS 0/000.280.9103 (u. 4)
11	MR 300 ENDURO CYLINDER 2025 0/005.190.9105 (u. 1)
12	MAP SENSOR RACORD MR 2025 0/000.460.9209 (u. 1)
13	HOSE CLAMP COBRA-19 INOX A2 0/000.680.9104 (u. 2)

14	CYLINDER PIPE TO MAP SENSOR MR 2025 0/000.290.9149 (u. 1)
15	MAP SENSOR KIT MR 2026 + SUPPORT 0/K01.010.9113 (u. 1)
16	CYLINDER GASKET 0.50 MR 2025 0/000.490.9145 (u. 1)

BALANCE SHAFT ASSEMBLY


1 TORNILLO DIN 7984 Allen M8x20 Cal.12.9 PAVONADO
0/000.460.9213 (u. 1)

2 ARANDELA DIN 6340 M8 350-HV
0/000.440.0162 (u. 1)

3 BALANCE SHAFT GEAR MR 2025
0/005.400.9117 (u. 1)

4 KEY 3x3.7 D.10 DIN 6888
0/005.490.9102 (u. 1)

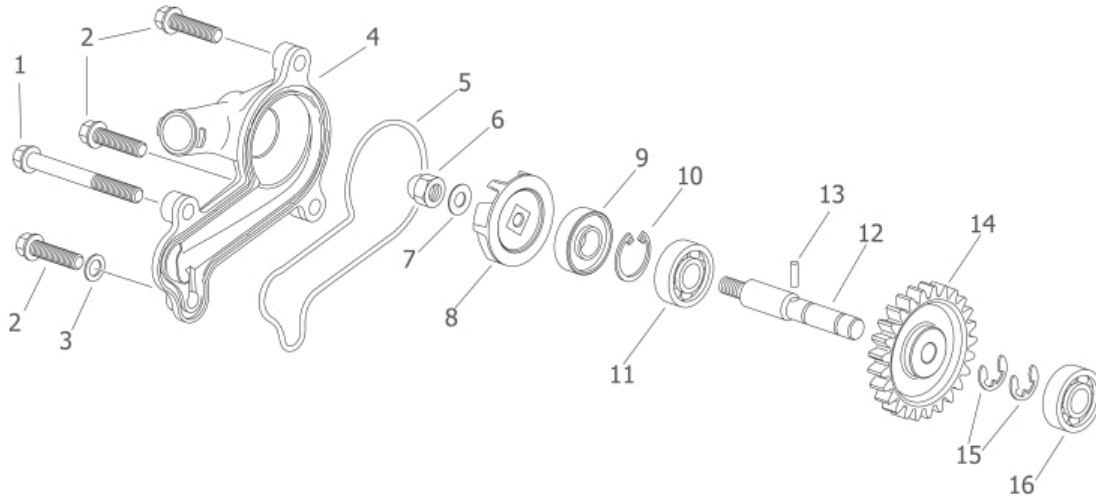
5 6202 C3 RIGID BALL BEARING
0/000.960.9130 (u. 1)

6 NK 20/16 RCT BEARING
0/000.960.9129 (u. 1)

7 DIN 472 Ø28 BLACK OXIDE ELASTIC RING
0/000.300.9110 (u. 1)

8 RETEN TCJ 20x32x7
0/000.890.9116 (u. 1)

9 BALANCE SHAFT MR 2025
0/006.126.9100 (u. 1)

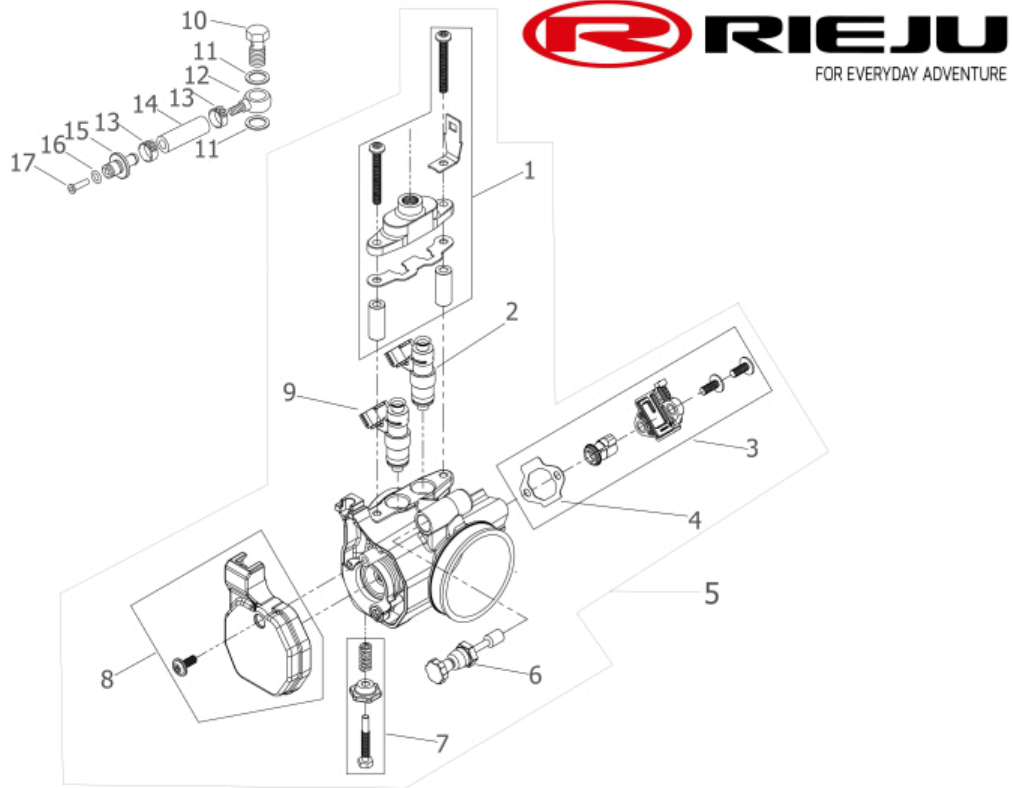
WATER PUMP ASSEMBLY


1	TORN.ESP. DIN 6921 Hex.8 TX30 M6x60 Fil.20 Cal.10.9 GEOMET 0/000.460.9188 (u. 1)
2	TORN.ESP. DIN 6921 Hex.8 TX30 M6x25 Cal.10.9 GEOMET 0/000.460.9182 (u. 3)
3	COPPER WASHER 6X10X1.5 WATER PUMP BOLT 0/000.440.9122 (u. 1)
4	WATER PUMP COVER MR 2025 0/000.350.9115 (u. 1)
5	RUBBER GASKET FOR WATER PUMP COVER ENDURO MR 2025 0/000.490.9127 (u. 1)
6	DIN 1587 M6 BLIND NUT 0/000.340.9128 (u. 1)
7	FLAT WASHER DIN 125/A M6 STAINLESS STEEL 0/000.440.0111 (u. 1)
8	MR 2025 WATER PUMP TURBINE 0/005.220.9101 (u. 1)
9	DC 10x24x7 HNBR Retainer 0/000.890.9112 (u. 1)
10	DIN 472 Ø24 BLACK OXIDE ELASTIC RING 0/000.300.9113 (u. 1)
11	WATER PUMP BEARING 6000 C3Z=M03313001 0/000.960.9107 (u. 1)
12	MR 2025 WATER PUMP PINION SHAFT 0/000.190.9109 (u. 1)
13	ROLLER 3X14. DIN 7 ISO 2338 STAINLESS A1 CENTRIFUGAL WATER PUMP 0/000.280.9101 (u. 1)
14	MR 2025 WATER PUMP PINION 0/005.400.9130 (u. 1)
15	SEEGERRING DIN 6799 E7 0/000.300.9103 (u. 2)

16

608Z C3 BEARING
0/000.960.9108 (u. 1)

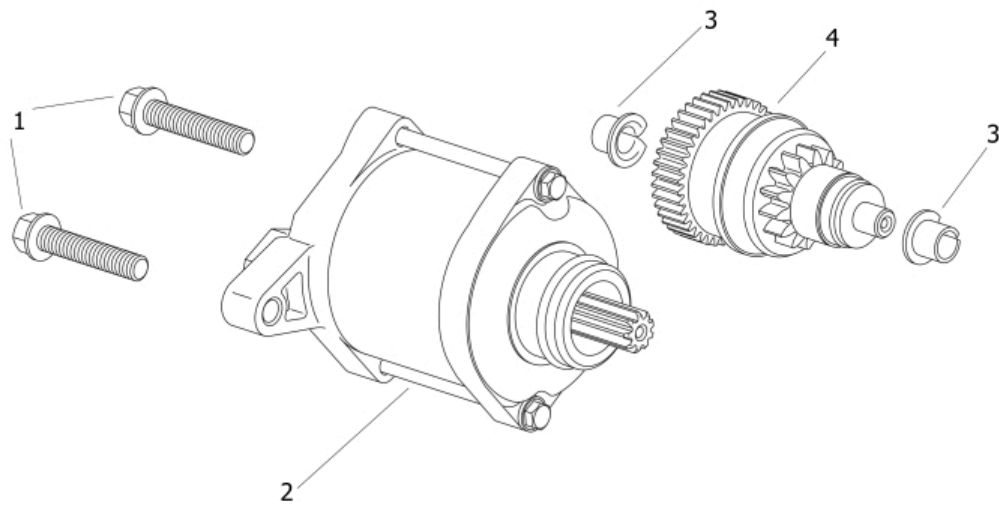
INJECTION BODY ASSEMBLY



1	INJECTOR RAMP KIT MR 2025 0/K05.158.9100 (u. 1)
2	INJECTOR BOSCH 028015843A 0/005.158.9100 (u. 1)
3	COMPLETE TPS KIT MR 2025 0/K05.158.9101 (u. 1)
4	TPS GASKET 0/000.490.9166 (u. 1)
5	COMPLETE INJECTION BODY MR 2025 0/P05.158.9106 (u. 1)
6	STARTER INJECTION BODY MR 2024 0/005.158.9103 (u. 1)
7	IDLE SCREW KIT MR 2025 0/K05.158.9102 (u. 1)
8	KIT GAS CABLE COVER-INJECTION BODY MR 2025 0/K05.158.9103 (u. 1)
9	INJECTOR BOSCH 028015842Z 0/005.158.9107 (u. 1)
10	FUEL FITTING SCREW INJECTION BODY 0/000.460.9222 (u. 1)
11	WASHER Ø10xØ15x1.5 ALUMINUM 0/000.440.9142 (u. 2)
12	INJECTOR RAMP CONNECTOR MR 2025 0/000.630.9107 (u. 1)
13	COBRA CLAMP Ø13/8 W4 0/000.680.0564 (u. 2)
14	TUBO CONECTOR A INYECTOR MR 2025 0/000.290.9154 (u. 1)
15	FUEL PIPE CONNECTOR FITTING MR 2025 0/000.460.9221 (u. 1)

16	VITON O-RING Ø7.65 x 1.78 0/000.490.9146 (u. 1)
17	FUEL CONNECTOR FILTER MR 2025 0/001.070.9102 (u. 1)

ELECTRIC STARTER



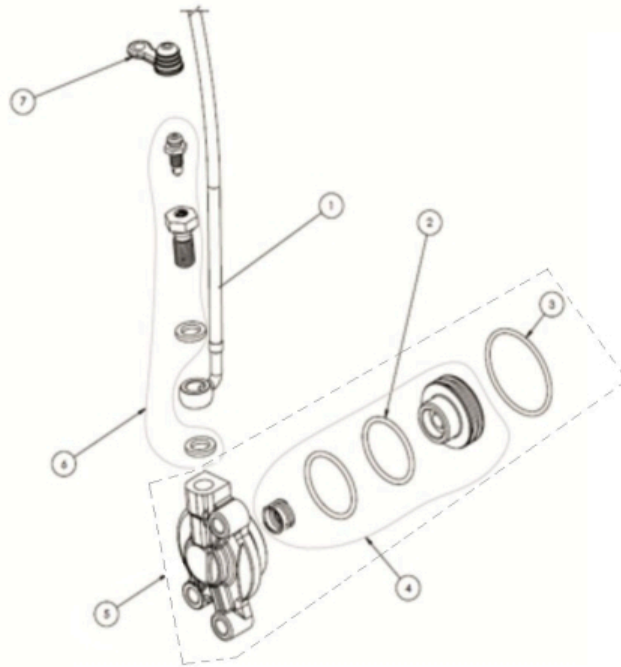
1 SCREW DIN 6921 Hex.8 TX30 M6x30 Thread.20 Grade.10.9 GEOMET
0/000.460.9183 (u. 2)

2 MOTOR ASSY START
0/005.480.9104 (u. 1)

3 BENDIX MR 2025 BUSHING
0/000.480.9157 (u. 2)

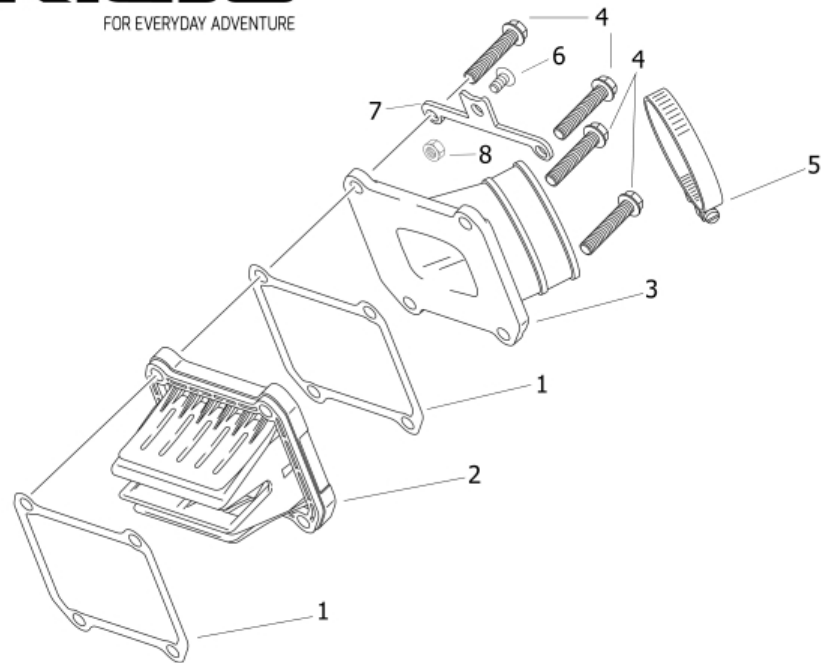
4 SHAFT ASSY OUTPUT
0/005.400.9128 (u. 1)

CLUTCH SLAVE CYLINDER



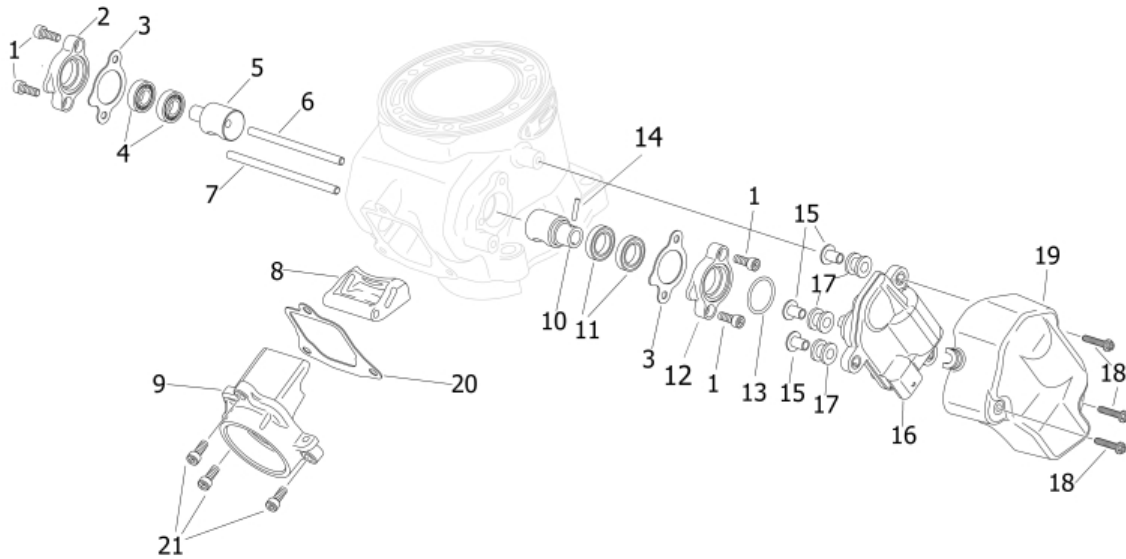
1	CLUTCH CYLINDER HOSE MR 2025 0/000.290.9141 (u. 1)
2	MR 2025 CLUTCH MASTER CYLINDER O-RING 0/000.490.9141 (u. 1)
3	CLUTCH MASTER CYLINDER BODY GASKET MR 2025 0/000.490.9142 (u. 1)
4	CLUTCH SLAVE CYLINDER PISTON REPAIR KIT 0/K00.825.9100 (u. 1)
5	KIT BOMBIN EMBRAGUE 0/000.825.9101 (u. 1)
6	CLUTCH SLAVE CYLINDER CONNECTOR SCREW KIT 0/K00.825.9101 (u. 1)
7	BLEED SCREW CAP 0/000.410.5009 (u. 1)

POPPET VALVE



1	CRANKCASE-REED Gasket-INTAKE PIPE MR 2025 0/000.490.9139 (u. 2)
2	REED VALVE V-FORCE 4 ENDURO MR 2025 0/005.600.9101 (u. 1)
3	INLET PIPE MR 2025 NBR80+Aluminum 0/000.360.9114 (u. 1)
4	SCREW DIN 6921 Hex.8 TX30 M6x30 Thread.20 Grade.10.9 GEOMET 0/000.460.9183 (u. 4)
5	CLAMP S56/9 W1 ZINC 0/000.680.9109 (u. 1)
6	SCREW ISO 7380 Torx T-30 WITH WASHER M6x12 STAINLESS STEEL 0/000.460.0044 (u. 1)
7	MAP SENSOR BRACKET MR2025 0/000.980.9141 (u. 1)
8	NUT DIN 6923 M6 Cal.6 Z/WHITE 0/000.340.0016 (u. 1)

EXHAUST VALVE ASSEMBLY



1	DIN 912 Allen screw M5x14 Cal.12.9 GEOMET 0/000.460.9211 (u. 4)
2	DCH.MR 2025 VALVE COVER 0/000.350.9117 (u. 1)
3	BOOSTERS MR 2025 CAP GASKET 0/000.490.9132 (u. 2)
4	BEARING 61900 -ZZ 10x22x6 0/000.960.9121 (u. 2)
5	BOOSTER VALVE 0/000.640.9105 (u. 1)
6	EXHAUST VALVE ROD 88.2xØ5 0/000.240.9100 (u. 1)
7	LONG EXHAUST VALVE ROD 120xØ5 0/000.240.9101 (u. 1)
8	MR 300 2025 EXHAUST VALVE 0/P00.640.9106 (u. 1)
9	MR 2025 EXHAUST NOZZLE 0/000.980.9133 (u. 1)
10	BOOSTER VALVE ACTUATOR 0/000.640.9108 (u. 1)
11	BEARING 61802-ZZ 24x15x5 0/000.960.9122 (u. 2)
12	TAPA VALVULA IZQ. MR 2025 0/000.350.9113 (u. 1)
13	SERVO O-RING 0/000.490.9133 (u. 1)
14	PIN SERVO MR2025 0/000.840.9105 (u. 1)
15	SERVO SUPPORT BUSHING 14x7x5.2 MR2025 0/000.480.9148 (u. 3)

16	EXHAUST VALVE SERVOMOTOR 0/001.200.9104 (u. 1)
17	SERVOMOTOR SUPPORT RUBBER 0/000.360.9115 (u. 3)
18	TORN.ESP. DIN 6921 Hex.8 TX30 M5x25 Cal.10.9 GEOMET 0/000.460.9218 (u. 3)
19	SERVOMOTOR COVER MR 2025 0/000.570.9125 (u. 1)
20	MR 2025 EXHAUST MOUTH GASKET 0/000.490.9140 (u. 1)
21	DIN 7984 Torx/Allen M6x20 Cal.12.9 GEOMET SCREW 0/000.460.9212 (u. 3)